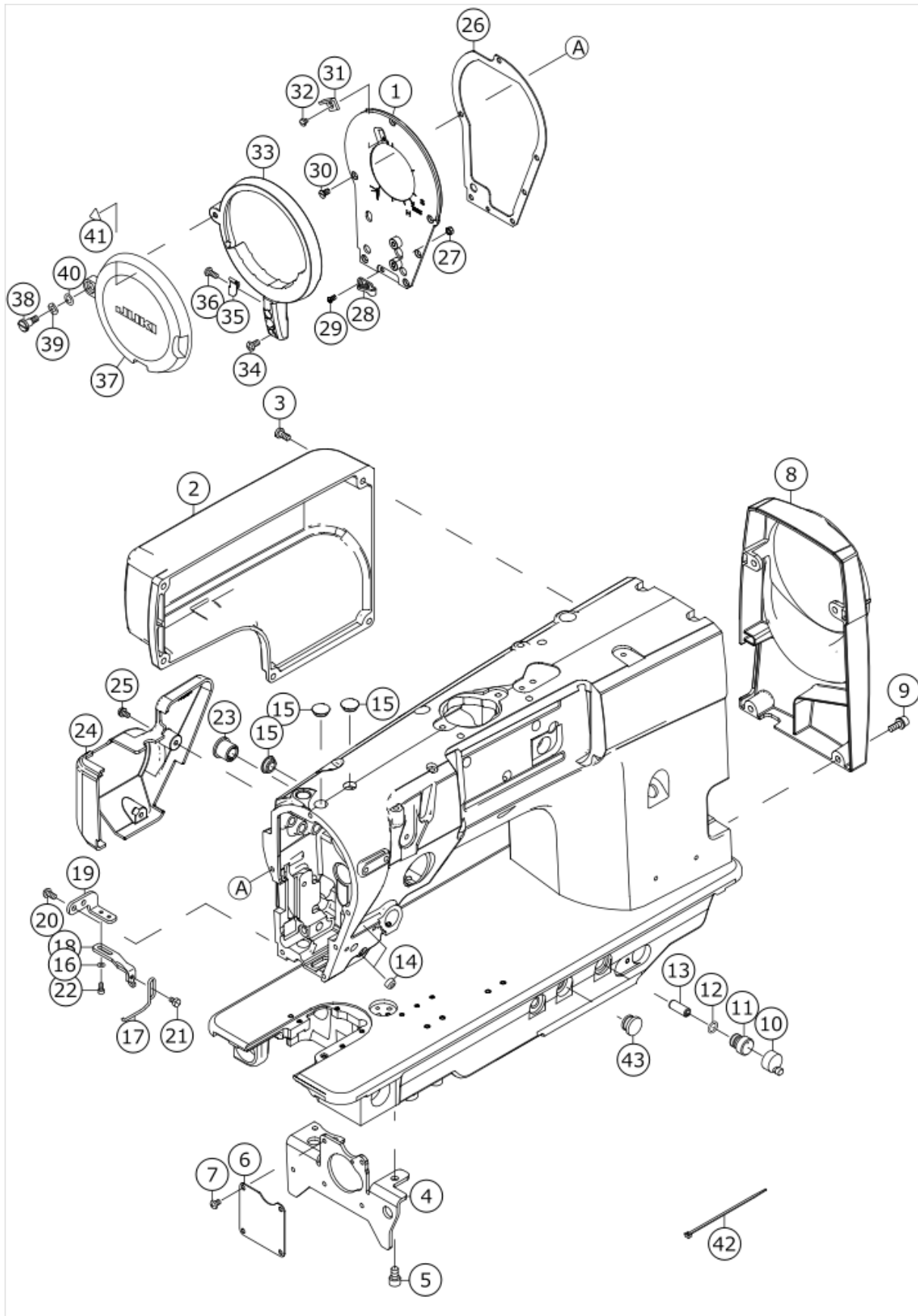


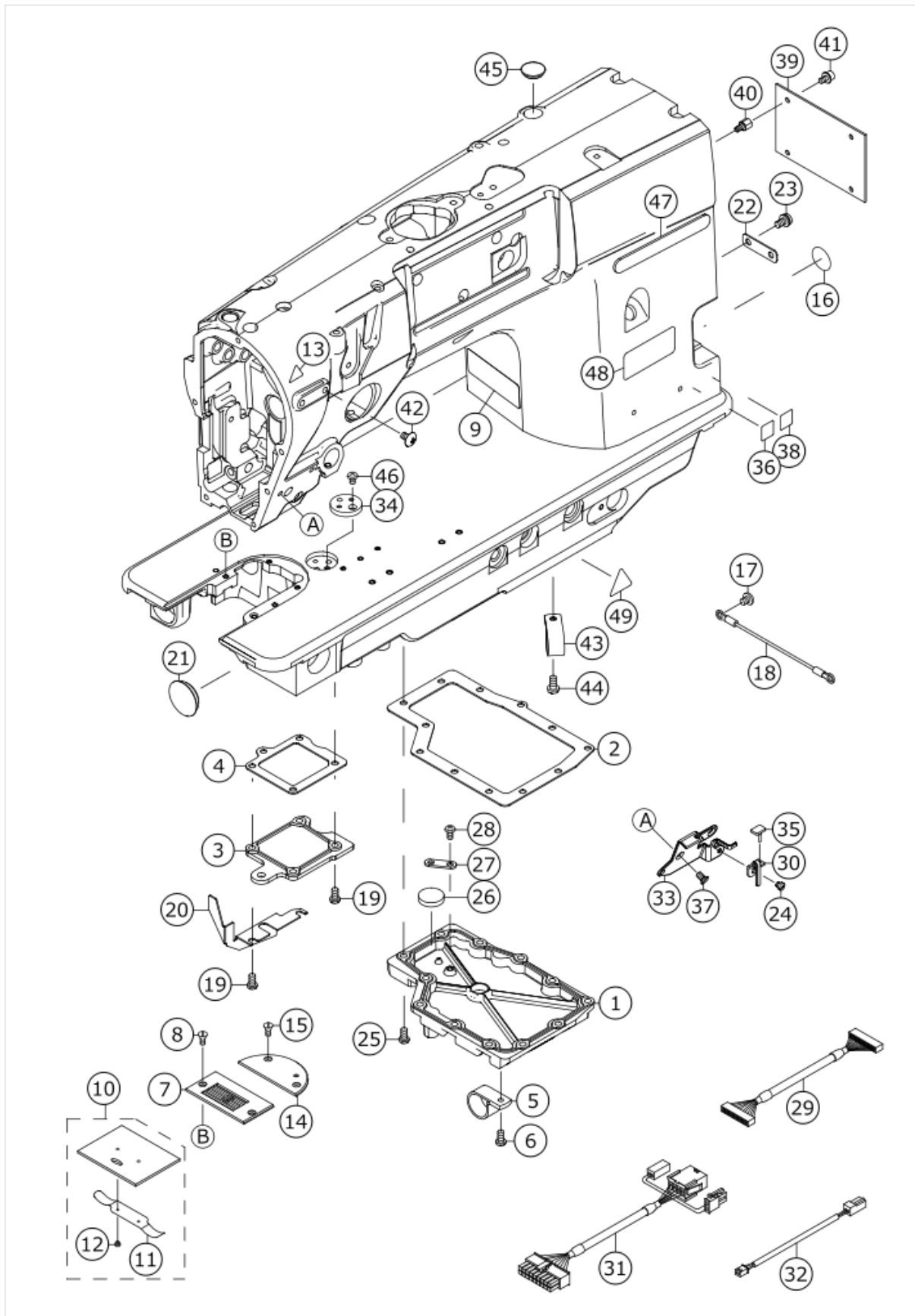
LZ-2290C

FRAME & MISCELLANEOUS COVER COMPONENTS (1)



| No. | 品番 | 品名 | 備考 | 子部品 | 消耗品 | 個数 |
|-----|-------------|------------------------------|----------------------------------|-----|-----|------|
| 1 | 40219949 | FACE_PLATE_ASM | | | | 1.00 |
| 2 | 40216994 | MOTOR_COVER | | | | 1.00 |
| 3 | SM4051055SP | SCREW | | | | 5.00 |
| 4 | 40209318 | VERTICAL_MOTOR_BASE | | | | 1.00 |
| 5 | SM6061002TP | SCREW M6 L=10 | | | | 2.00 |
| 6 | 40209311 | OIL_GUARD_PLATE_S | FOR LZ-2290CS | | | 1.00 |
| 7 | SM4040655SP | SCREW M4 L=6 | FOR LZ-2290CS | | | 4.00 |
| 8 | 40172366 | PULLEY_COVER | | | | 1.00 |
| 9 | SL6051492TN | BOLT | | | | 4.00 |
| 10 | 23601305 | AIR-DISCHARGING CAP | | | | 1.00 |
| 11 | 23629900 | AIR-DISCHARGING | | | | 1.00 |
| 12 | RO080150200 | RUBBER RING | | | | 1.00 |
| 13 | PS0800202KH | SPRING PIN 8X20 | | | | 1.00 |
| 14 | GPR01015000 | DRIVING STOPPER RUBBER | | | | 2.00 |
| 15 | TA1250406R0 | RUBBER PLUG D=12.5 L=4 | | | | 3.00 |
| 16 | WP03305000E | WASHER 3.3X6X0.5 | VARIOUS NOS.FO R DESTINATIONS | | | 2.00 |
| 17 | 22529002 | SUPPORT BALANCE | VARIOUS NOS.FO R DESTINATIONS | | | 1.00 |
| 18 | 22529101 | SUPPORT BALANCE BASE | VARIOUS NOS.FO R DESTINATIONS | | | 1.00 |
| 19 | 22529200 | MOUNTING BASE | VARIOUS NOS.FO R DESTINATIONS | | | 1.00 |
| 20 | SS4120915SP | SCREW 3/16-28 L=9 | VARIOUS NOS.FO R DESTINATIONS | | | 2.00 |
| 21 | SS6090540SP | SCREW 9/64-40 L=5.0 | VARIOUS NOS.FO R DESTINATIONS | | | 1.00 |
| 22 | SS6580752TP | SCREW 1/8-40 L=7 | VARIOUS NOS.FO R DESTINATIONS | | | 2.00 |
| 23 | 40174322 | CORD_CLAMP_BUSH | | | | 1.00 |
| 24 | 40209335 | AT_COVER | | | | 1.00 |
| 25 | SL4040881SC | SCREW M4 L=8 | | | | 2.00 |
| 26 | 40125433 | GASKET | | | | 1.00 |
| 27 | NS6090310SP | NUT 9/64-40 | | | | 1.00 |
| 28 | 26305409 | BALANCE THREAD GUIDE B | | | | 1.00 |
| 29 | SS2090710TP | SCREW 9/64-40 L=7.2 | | | | 1.00 |
| 30 | SS1110840SP | SCREW 11/64-40 L=8 | | | | 6.00 |
| 31 | 10001709 | TAKE-UP THREAD CUTTER | | | | 1.00 |
| 32 | SS7080410SP | SCREW 1/8-44 L=3.8 | | | | 1.00 |
| 33 | 40209349 | BALANCE_COVER_BASE | | | | 1.00 |
| 34 | SS4110915SP | SCREW 11/64-40 L=9 | | | | 2.00 |
| 35 | 26305300 | BALANCE COVER STOPPER SPRING | | | | 1.00 |
| 36 | SS4120615SP | SCREW 3/16-28 L=6 | | | | 1.00 |
| 37 | 40209348 | BALANCE_COVER | | | | 1.00 |
| 38 | SD0640751SP | HINGE SCREW D=6.35 H=7.5 | | | | 1.00 |
| 39 | WZ0641510KP | WAVED WASHER 6.4X11X0.3 | | | | 1.00 |
| 40 | WP0651056SD | WASHER 6.5X11X1 | | | | 1.00 |
| 41 | CM300200001 | ATTENTION SEAL | | | | 1.00 |
| 42 | EA9500B0100 | CABLE BAND | | | | 4.00 |
| 43 | TA1250705R0 | RUBBER PLUG | | | | 1.00 |

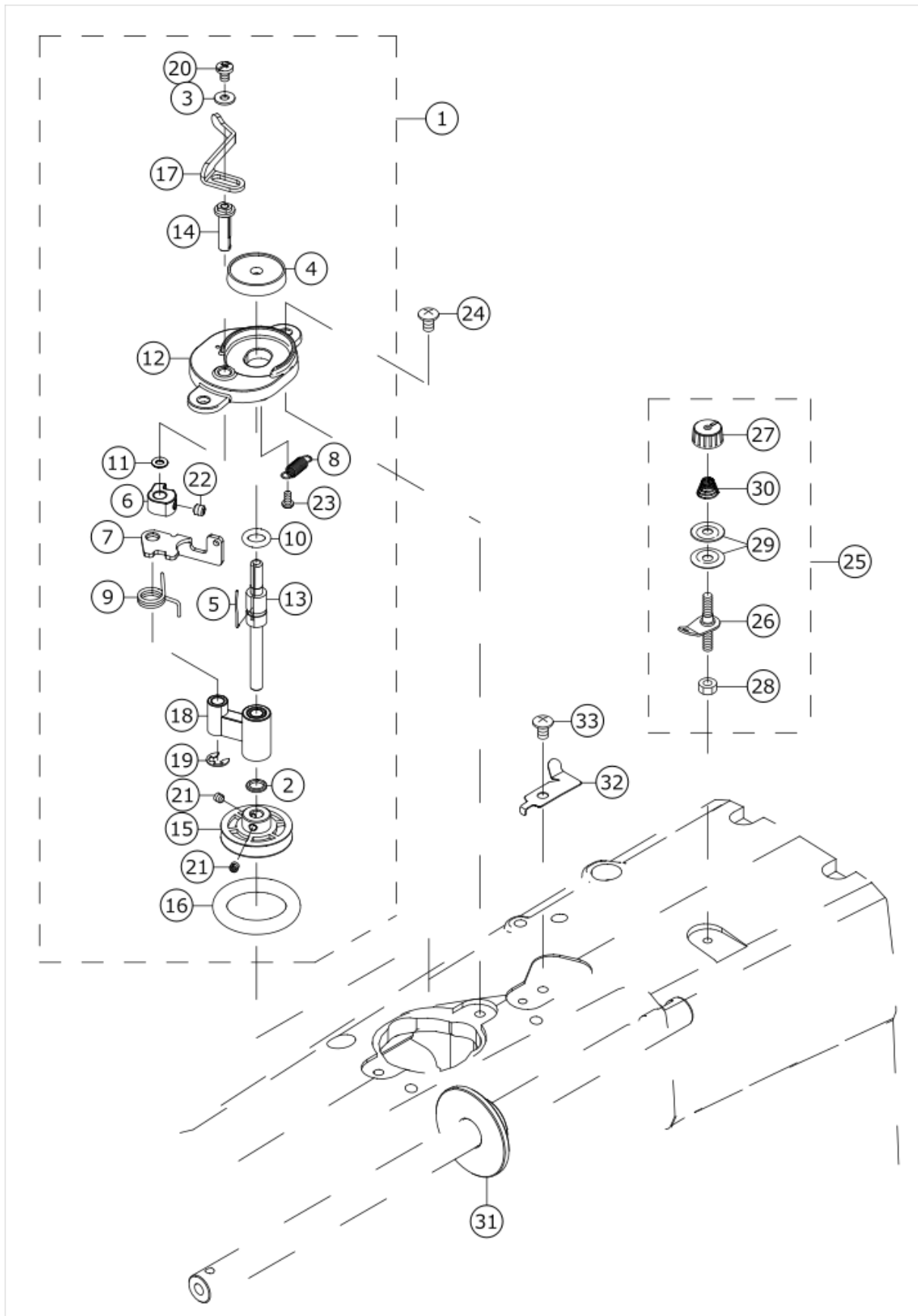
FRAME & MISCELLANEOUS COVER COMPONENTS (2)



| No. | 品番 | 品名 | 備考 | 子部品 | 消耗品 | 個数 |
|-----|-------------|-----------------------------|----------------------------------|-----|-----|-------|
| 1 | 40011345 | GEAR BOX (LARGE) COVER | | | | 1.00 |
| 2 | 23526601 | GEAR BOX (LARGE) PACKING | | | | 1.00 |
| 3 | 40028463 | GEAR BOX (SMALL) COVER | | | | 1.00 |
| 4 | 23526809 | GEAR BOX (SMALL) PACKING | | | | 1.00 |
| 5 | HX00150000L | CABLE CLIP | | | | 1.00 |
| 6 | SS4120915SP | SCREW 3/16-28 L=9 | | | | 1.00 |
| 7 | 22582407 | NEEDLE PLATE | | | | 1.00 |
| 8 | SS2090810SP | SCREW 9/64-40 L=7.5 | | | | 2.00 |
| 9 | 40213295 | SAFETY_LABEL_S_N | | | | 1.00 |
| 10 | 26314757 | BED SLIDE ASM. | FOR LZ-2290CS-0B | | | 1.00 |
| 11 | 11001609 | BED SLIDE SPRING | | * | | 1.00 |
| 12 | SS6060210SP | SCREW 3/32-56 L=1.9 | | * | | 2.00 |
| 13 | CM300200001 | ATTENTION SEAL | | | | 1.00 |
| 14 | 26300103 | SEMILUNAR PLATE | | | | 1.00 |
| 15 | SS2090810SP | SCREW 9/64-40 L=7.5 | | | | 2.00 |
| 16 | 22901805 | GROUND MARK | | | | 1.00 |
| 17 | SM4050655SP | SCREW M5 L=6 | | | | 1.00 |
| 18 | 40189389 | GROUND WIRE ASM | | | | 1.00 |
| 19 | SS4120915SP | SCREW 3/16-28 L=9 | | | | 4.00 |
| 20 | 40209352 | OIL_GUARD | | | | 1.00 |
| 21 | 40028294 | FEED_ADJUSTING_CAP | | | | 1.00 |
| 22 | 26025106 | SPACER PLATE | | | | 1.00 |
| 23 | SL4051091SC | SCREW M5X0.8 L=10 | | | | 1.00 |
| 24 | SS7090410SP | SCREW 9/64-40 L=3.5 | | | | 1.00 |
| 25 | SS4121215SP | SCREW 3/16-28 L=12 | | | | 12.00 |
| 26 | B8228125000 | OIL RESERVOIR MAGNET | | | | 1.00 |
| 27 | 40024644 | MAGNET WASHER | | | | 1.00 |
| 28 | ST4040821SS | TAPPING SCREW | | | | 1.00 |
| 29 | 40208473 | INT CABLE EX ASSY | FOR LZ-2290CF | | | 1.00 |
| 30 | 40125438 | THREAD GUIDE | | | | 1.00 |
| 31 | 40208472 | SOL-INT CABLE ASSY | | | | 1.00 |
| 32 | 40208474 | FAN RELAY CABLE ASSY | | | | 1.00 |
| 33 | 40219875 | THREAD GUIDE C | | | | 1.00 |
| 34 | 40035589 | RULER PLATE | | | | 1.00 |
| 35 | 40125710 | RUBBER STOPPER | | | | 1.00 |
| 36 | 40150131 | EAC_MARK_LABEL_S | VARIOUS NOS.FO R DESTINATIONS | | | 1.00 |
| 37 | SS1110840SP | SCREW 11/64-40 L=8 | | | | 2.00 |
| 38 | CM600100101 | WEEE MARK LABEL S | VARIOUS NOS.FO R DESTINATIONS | | | 1.00 |
| 39 | 40208490 | INT PCB ASSY | | | | 1.00 |
| 40 | 40188608 | SPACER | | | | 4.00 |
| 41 | SL4040881SC | SCREW M4 L=8 | | | | 4.00 |
| 42 | SM0050801SC | SCREW | | | | 2.00 |
| 43 | HX00150000L | CABLE CLIP | | | | 1.00 |
| 44 | SM4051055SP | SCREW | | | | 1.00 |
| 45 | TA1600406R0 | PLUG | | | | 1.00 |
| 46 | SM4040655SP | SCREW M4 L=6 | | | | 1.00 |
| 47 | 40172375 | EMBLEM_JUKI_SMART_SOLUTIONS | | | | 1.00 |

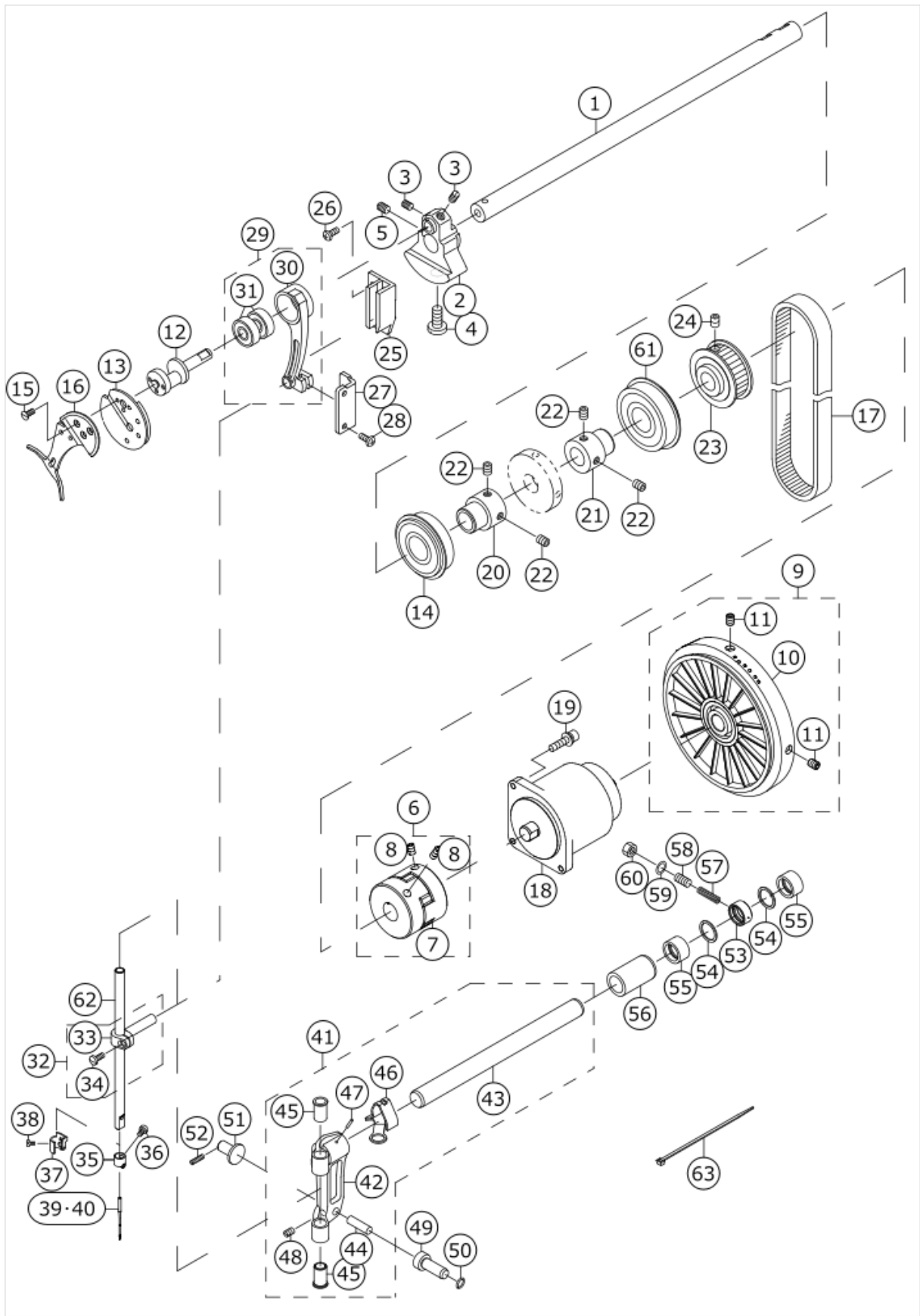
| | | | | | | |
|----|-------------|---------------------------|----------------------------------|--|--|------|
| 48 | 40094561 | SEWING MACHINE LABEL (EU) | VARIOUS NOS.FO R DESTINATIONS | | | 1.00 |
| 49 | CM300200003 | ATTENTION LABEL | | | | 1.00 |

BOBBIN WINDER COMPONENTS



| No. | 品番 | 品名 | 備考 | 子部品 | 消耗品 | 個数 |
|-----|-------------|--------------------------------|----|-----|-----|------|
| 1 | 40191107 | BOBBIN_WINDER_UNIT_N | | | | 1.00 |
| 2 | 22891204 | BEARING_SUPPORT | | * | | 1.00 |
| 3 | 40166870 | WASHER | | * | | 1.00 |
| 4 | 40166872 | BOBBIN_SUPPORT | | * | | 1.00 |
| 5 | 40166881 | BOBBIN_FIXED_SPRING | | * | | 1.00 |
| 6 | 40166885 | BOBBIN_PRESSER_CAM | | * | | 1.00 |
| 7 | 40166886 | BOBBIN_WINDER_LEVER | | * | | 1.00 |
| 8 | 40166887 | BOBBIN_WINDER_LEVER_SPRING | | * | | 1.00 |
| 9 | 40166888 | SPRING | | * | | 1.00 |
| 10 | 40166893 | STOPPER_RUBBER | | * | | 1.00 |
| 11 | 40166894 | O_RING | | * | | 1.00 |
| 12 | 40191108 | BTW_BASE_N | | * | | 1.00 |
| 13 | 40191109 | BOBBIN_WINDER_SHAFT_N | | * | | 1.00 |
| 14 | 40191111 | BOBBIN_WINDER_ARM_SHAFT_N | | * | | 1.00 |
| 15 | 40191113 | BOBBIN_WINDER_WHEEL_N | | * | | 1.00 |
| 16 | 40191114 | BTW_WHEEL_RUBBER_N | | * | | 1.00 |
| 17 | 40191115 | BOBBIN_PRESSER_N | | * | | 1.00 |
| 18 | 40191116 | BOBBIN_WINDER_SUPPORT_N_ASM | | * | | 1.00 |
| 19 | RE0500000K0 | E-RING | | * | | 1.00 |
| 20 | SM5040655SN | SCREW | | * | | 1.00 |
| 21 | SM8040412TP | SET SCREW M4 L=4 | | * | | 2.00 |
| 22 | SM8050502TP | SCREW M5 L=5 | | * | | 1.00 |
| 23 | ST4030651SN | SCREW M3X6 | | * | | 1.00 |
| 24 | SM0050801SC | SCREW | | | | 2.00 |
| 25 | 22529481 | BOBBIN_THREAD_TENSION_ASM. | | | | 1.00 |
| 26 | 22529473 | BOBBIN_THREAD_TENSION_ROD_ASM. | | * | | 1.00 |
| 27 | 11072402 | THREAD_TENSION_NUT | | * | | 1.00 |
| 28 | NS6110310SP | HEXAGONAL_NUT_11/64-40 | | * | | 1.00 |
| 29 | B3214047000 | BOBBIN_WINDER_TENSION_DISC | | * | | 2.00 |
| 30 | 11093606 | THREAD_TENSION_SPRING | | * | | 1.00 |
| 31 | 40136292 | BTW_DRIVING_WHEEL_ASM | | | | 1.00 |
| 32 | 40037008 | THREAD_CUTTER | | | | 1.00 |
| 33 | SM0050801SC | SCREW M5 L=8 | | | | 1.00 |

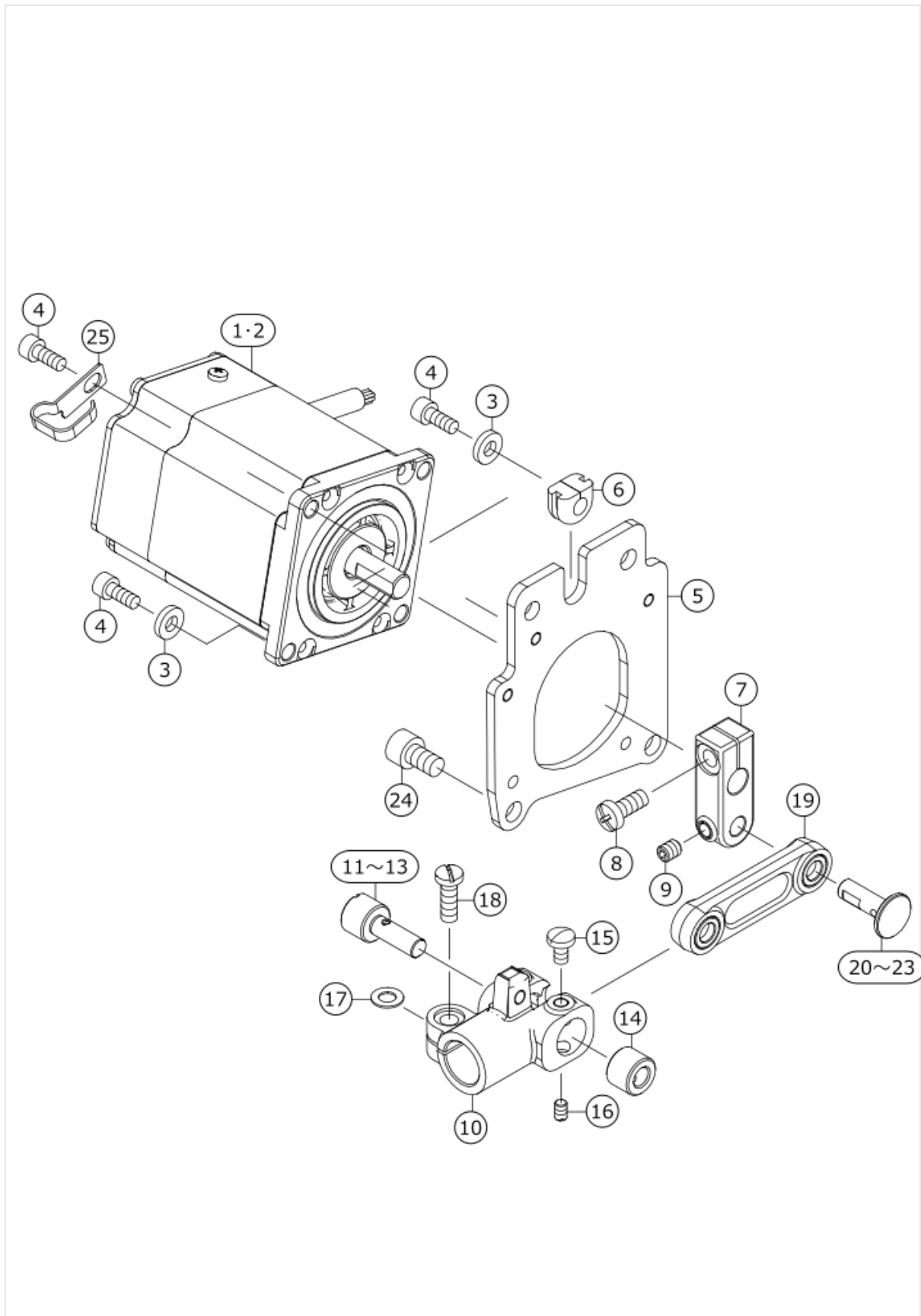
MAIN SHAFT & THREAD TAKE-UP & NEEDLE BAR COMPONENTS



| No. | 品番 | 品名 | 備考 | 子部品 | 消耗品 | 個数 |
|-----|-------------|-------------------------------|----------------------------------|-----|-----|------|
| 1 | 23527906 | UPPER SHAFT | | | | 1.00 |
| 2 | 40010324 | COUNTER WEIGHT | | | | 1.00 |
| 3 | SS8660610TP | SCREW 1/4-40 L=6 | | | | 2.00 |
| 4 | SS7681650TP | SCREW 9/32-28 L=16 | | | | 1.00 |
| 5 | SS8680730SP | SCREW 9/32-28 L=7 | | | | 1.00 |
| 6 | 40172398 | COUPLING_ASM. | | | | 1.00 |
| 7 | 40172393 | COUPLING | | * | | 1.00 |
| 8 | SM80608A2TP | SCREW M6 L=8 | | * | | 4.00 |
| 9 | 40172418 | HAND_WHEEL_ASM. | | | | 1.00 |
| 10 | 40172377 | HAND_WHEEL | | * | | 1.00 |
| 11 | SM80608A2TP | SCREW M6 L=8 | | * | | 2.00 |
| 12 | 23528102 | NEEDLE ROD CRANK | | | | 1.00 |
| 13 | 10008753 | TAKE-UP COUNTERWEIGHT ASM. | | | | 1.00 |
| 14 | SB1200013C0 | BEARING | | | | 1.00 |
| 15 | SS1090930SP | SCREW 9/64-40 L=8.6 | | | | 3.00 |
| 16 | 22506208 | BALANCE V | | | | 1.00 |
| 17 | 22505705 | TIMING BELT | | | | 1.00 |
| 18 | 40172146 | AC_SERVO_MOTOR | | | | 1.00 |
| 19 | SL6052092TN | SCREW | | | | 3.00 |
| 20 | 23604200 | MAIN SHAFT BEARING SUPPORT | | | | 1.00 |
| 21 | 23604200 | MAIN SHAFT BEARING SUPPORT | | | | 1.00 |
| 22 | SM8060812TP | SCREW M6 L=8 | | | | 4.00 |
| 23 | 40160261 | UPPER_SHAFT_SPROCKET | | | | 1.00 |
| 24 | SM8060812TP | SCREW M6 L=8 | | | | 2.00 |
| 25 | 22508006 | NEEDLE BAR CONNECTION GUIDE | | | | 1.00 |
| 26 | SS4110915SP | SCREW 11/64-40 L=9 | | | | 2.00 |
| 27 | 40010281 | NEEDLE ROD CRANK ROD GUIDE | | | | 1.00 |
| 28 | SS4110915SP | SCREW 11/64-40 L=9 | | | | 2.00 |
| 29 | 23528755 | NEEDLE ROD CRANK ROD ASM. | | | | 1.00 |
| 30 | 23528706 | NEEDLE ROD CRANK ROD | | * | | 1.00 |
| 31 | SB108001900 | BEARING | | * | | 2.00 |
| 32 | 40070532 | NEEDLE_BAR_CONNECTION_ASM. | | | | 1.00 |
| 33 | 40056873 | NEEDLE BAR CONNECTION | | * | | 1.00 |
| 34 | SS7090910TP | SCREW 9/64-40 L=8.5 | | * | | 1.00 |
| 35 | 22507701 | THRED RACK RIGHT | VARIOUS NOS.FO R DESTINATIONS | | | 1.00 |
| 36 | SS7080520SP | SCREW 1/8-44 L=4.9 | | | | 1.00 |
| 37 | 22507404 | THREAD RACK | VARIOUS NOS.FO R DESTINATIONS | | | 1.00 |
| 38 | SS7060310SP | SCREW 3/32-56 L=3 | VARIOUS NOS.FO R DESTINATIONS | | | 1.00 |
| 39 | MC2005F0700 | NEEDLE 134SUK 70 | VARIOUS NOS.FO R DESTINATIONS | | | 1.00 |
| 40 | MDP500B1000 | NEEDLE DPX5 #10 | VARIOUS NOS.FO R DESTINATIONS | | | 1.00 |
| 41 | 23529159 | NEEDLE ROD SUPPORT BASE ASM. | | | | 1.00 |
| 42 | 23529100 | NEEDLE ROD SUPPORT BASE | | * | | 1.00 |
| 43 | 23529209 | NEEDLE ROD SUPPORT BASE SHAFT | | * | | 1.00 |
| 44 | 23529308 | SUPPORT BASE GUIDE SHAFT | | * | | 1.00 |
| 45 | 23529506 | NEEDLE ROD METAL | | * | | 2.00 |

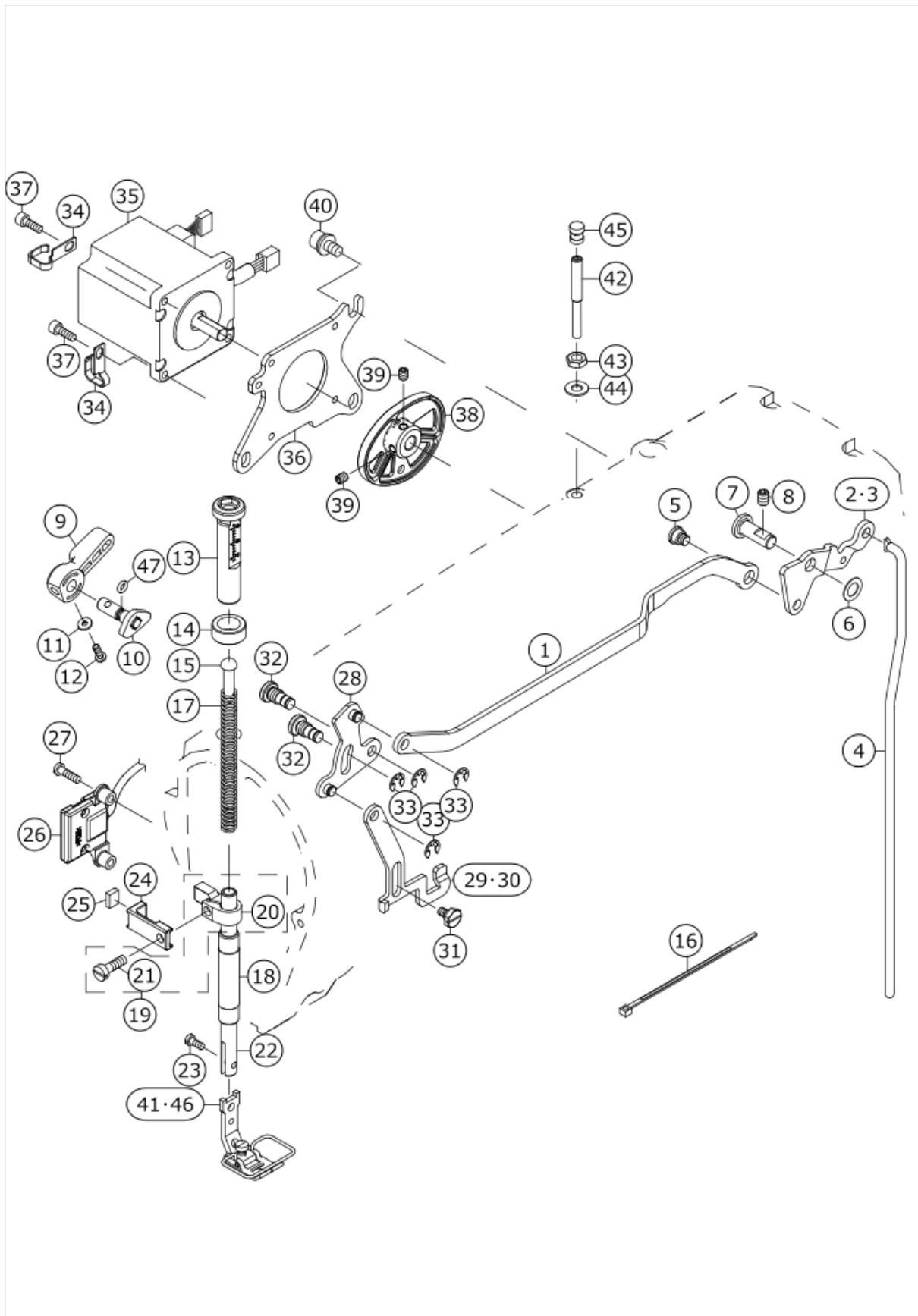
| | | | | | | |
|----|-------------|--------------------------------|--|---|--|------|
| 46 | 23529407 | NEEDLE ROD SUPPORT BASE FELT | | * | | 1.00 |
| 47 | PS0400222K0 | SPRING PIN | | * | | 1.00 |
| 48 | SS8120740SP | SCREW 3/16-28 L=7 | | * | | 1.00 |
| 49 | 40010297 | SUPPORT BASE GUIDE PIN A | | | | 1.00 |
| 50 | RO037180100 | RUBBER RING | | | | 1.00 |
| 51 | 40010296 | SUPPORT BASE GUIDE PIN B | | | | 1.00 |
| 52 | SS8151230SP | SCREW 15/64-28 L=12 | | | | 1.00 |
| 53 | 40003618 | METAL B | | | | 1.00 |
| 54 | 23544901 | THRUST BUSH | | | | 2.00 |
| 55 | 23531114 | SUPPORT BASE SHAFT REAR METAL | | | | 2.00 |
| 56 | 40010315 | SUPPORT BASE SHAFT FRONT METAL | | | | 1.00 |
| 57 | 40010322 | SPRING | | | | 1.00 |
| 58 | SM8061212TP | SCREW M6X12 | | | | 1.00 |
| 59 | WP0720516SD | PLAIN WASHER | | | | 1.00 |
| 60 | NM6060001SC | NUT M6 | | | | 1.00 |
| 61 | SB1200008C0 | BEARING | | | | 1.00 |
| 62 | 40209341 | NEEDLE_BAR_D | | | | 1.00 |
| 63 | EA9500B0100 | CABLE BAND | | | | 1.00 |

NEEDLE VIBRATOR COMPONENTS



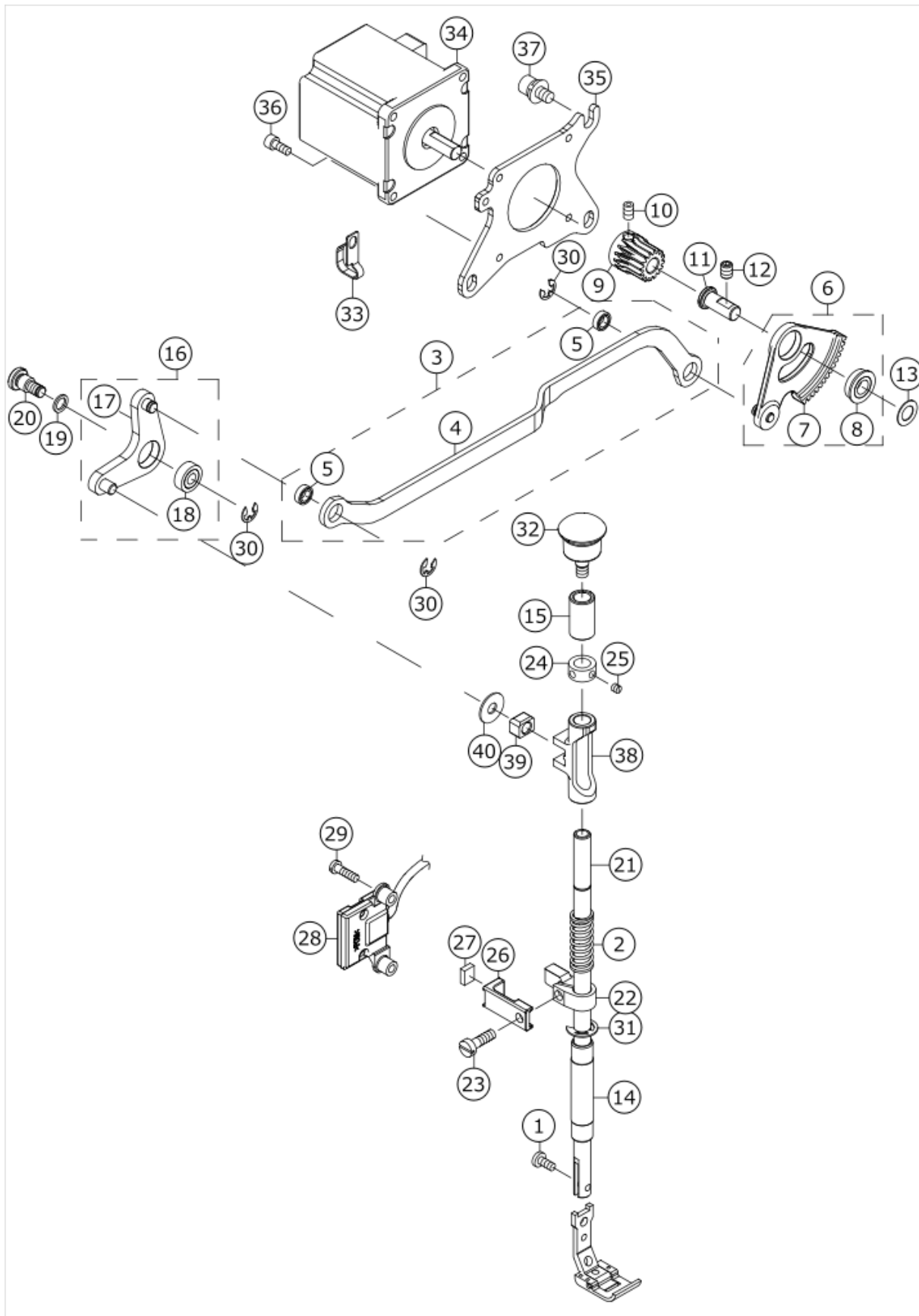
| No. | 品番 | 品名 | 備考 | 子部品 | 消耗品 | 個数 |
|-----|-------------|-------------------------------|-----------------|-----|-----|------|
| 1 | 40259936 | NEEDLE VIBRATOR MOTOR CS | FOR LZ-2290CS | | | 1.00 |
| 2 | 40259935 | NEEDLE VIBRATOR MOTOR CF | FOR LZ-2290CF | | | 1.00 |
| 3 | WP0482016SZ | WASHER | | | | 2.00 |
| 4 | SM6041002TP | SCREW M4 L=10 | | | | 4.00 |
| 5 | 40209312 | NEEDLE_VIBRATOR_UNIT_BASE | | | | 1.00 |
| 6 | GPK26023000 | BUSH A | | | | 1.00 |
| 7 | 40010278 | MOTOR LINK | | | | 1.00 |
| 8 | SM4051255SP | SCREW M5 L=12 | | | | 1.00 |
| 9 | SM8050612TP | SCREW M5X6 | | | | 1.00 |
| 10 | 40008118 | SUPPORT BASE SHAFT CONNECTION | | | | 1.00 |
| 11 | 40008119 | JUNCTION SHAFT A | SELECTIVE PARTS | | | 1.00 |
| 12 | 40008120 | JUNCTION SHAFT B | SELECTIVE PARTS | | | 1.00 |
| 13 | 40008121 | JUNCTION SHAFT C | SELECTIVE PARTS | | | 1.00 |
| 14 | 40010298 | JUNCTION SHAFT COLLAR | | | | 1.00 |
| 15 | SS7110740TP | SCREW 11/64-40 L=7 | | | | 2.00 |
| 16 | SS8090670SP | SCREW 9/64-40 L=5.5 | | | | 1.00 |
| 17 | WP0520656SA | WASHER 5.2X9.5X0.6 | | | | 1.00 |
| 18 | SS7121410TP | SCREW 3/16-28 L=14 | | | | 1.00 |
| 19 | 40008169 | SHAFT CONNECTION LINK | | | | 1.00 |
| 20 | 40010286 | JUNCTION SHAFT A | SELECTIVE PARTS | | | 1.00 |
| 21 | 40010287 | JUNCTION SHAFT B | SELECTIVE PARTS | | | 1.00 |
| 22 | 40010288 | JUNCTION SHAFT C | SELECTIVE PARTS | | | 1.00 |
| 23 | 40010289 | JUNCTION SHAFT D | SELECTIVE PARTS | | | 1.00 |
| 24 | SM6061002TP | SCREW M6 L=10 | | | | 3.00 |
| 25 | 40022407 | CORD HOLDER | | | | 2.00 |

HAND LIFTER COMPONENTS



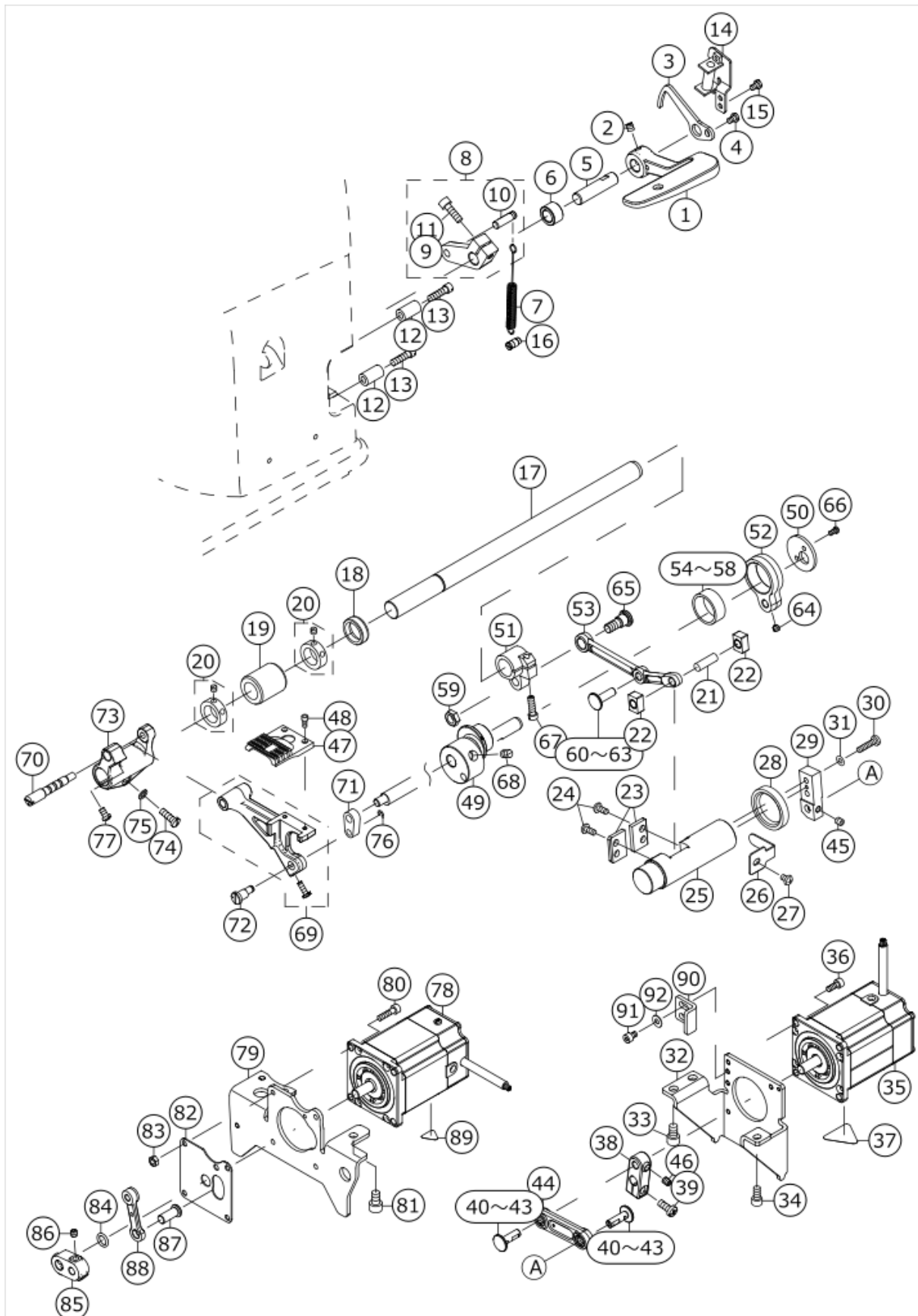
| No. | 品番 | 品名 | 備考 | 子部品 | 消耗品 | 個数 |
|-----|-------------|--------------------------------|----------------------------------|-----|-----|------|
| 1 | 40209333 | KNEE_LIFTING_LINK | | | | 1.00 |
| 2 | 40172401 | AK_LEVER | WITH OUT AK | | | 1.00 |
| 3 | 40174615 | AK_LEVER_ASSY | WITH AK | | | 1.00 |
| 4 | 40209332 | CONNECTING_ROD | | | | 1.00 |
| 5 | 40174388 | HINGE_SCREW | | | | 1.00 |
| 6 | WP0820526SD | WASHER 8.2X14X0.5 | | | | 1.00 |
| 7 | 40172402 | PRESSER_LEVER_SHAFT | | | | 1.00 |
| 8 | SM80608A2TP | SCREW M6 L=8 | | | | 1.00 |
| 9 | 22907802 | HAND LIFTER | | | | 1.00 |
| 10 | 22908552 | HAND LIFTER CAM ASM. | | | | 1.00 |
| 11 | WP0740516SP | WASHER 7.4X11.8X0.5 | | | | 1.00 |
| 12 | B1521555000 | SCREW | | | | 1.00 |
| 13 | 23609209 | PRESSER SPRING REGULATOR | | | | 1.00 |
| 14 | 22907604 | PRESSER SPRING REGULATOR NUT | | | | 1.00 |
| 15 | 22907703 | PRESSER GUIDE BAR | | | | 1.00 |
| 16 | EA9500B0100 | CABLE BAND | | | | 1.00 |
| 17 | 22907406 | PRESSER SPRING | | | | 1.00 |
| 18 | 22907109 | PRESSER BAR BUSHING, LOWER | | | | 1.00 |
| 19 | 40086606 | PRESSER_BAR_GUIDE_BRACKET_ASM. | | | | 1.00 |
| 20 | 40086607 | PRESSER_BAR_GUIDE_BRACKET | | * | | 1.00 |
| 21 | SM6051400SP | SCREW | | * | | 1.00 |
| 22 | 40125469 | PRESSER_BAR | | | | 1.00 |
| 23 | SS7090910TP | SCREW 9/64-40 L=8.5 | | | | 1.00 |
| 24 | 40209310 | MAGNET_BASE | FOR LZ-2290CF | | | 1.00 |
| 25 | 40172415 | MAGNET | FOR LZ-2290CF | | | 1.00 |
| 26 | 40211903 | CLOTH_PRESSER_SENSOR_ASM | FOR LZ-2290CF | | | 1.00 |
| 27 | SM4041455SN | SCREW M4 L=14 | FOR LZ-2290CF | | | 2.00 |
| 28 | 22908156 | LIFTING LINK ASM. | | | | 1.00 |
| 29 | 40209330 | LIFTING_LEVER | FOR LZ-2290CS | | | 1.00 |
| 30 | 40209342 | LIFTING_LEVER_AT | FOR LZ-2290CF | | | 1.00 |
| 31 | SD0630275SP | HINGE SCREW D=6.35 H=2.7 | | | | 1.00 |
| 32 | 22908701 | LINK SHAFT | | | | 2.00 |
| 33 | RE0500000K0 | E-RING | | | | 4.00 |
| 34 | 40022407 | CORD HOLDER | | | | 2.00 |
| 35 | 40255467 | PRESSURE MOTOR | | | | 1.00 |
| 36 | 40209343 | LIFTER_MOTOR_BASE | | | | 1.00 |
| 37 | SM6041202TP | SCREW M4X0.7 L=12 | | | | 4.00 |
| 38 | 40174375 | CAM | | | | 1.00 |
| 39 | SM80508A2TP | SCREW M5 L=8 | | | | 2.00 |
| 40 | SL6061292TN | SCREW | | | | 3.00 |
| 41 | 40138514 | PRESSER FOOT ASM. | VARIOUS NOS.FO R DESTINATIONS | | | 1.00 |
| 42 | 40036706 | ADJUSTING SCREW | | | | 1.00 |
| 43 | NM6060003SE | NUT FOR BRACKET | | | | 1.00 |
| 44 | WP0621016SD | WASHER 6.2X13X1 | | | | 1.00 |
| 45 | 18200501 | WORK ATTACHMENT (SMALL) | | | | 1.00 |
| 46 | 22584965 | PRESSER FOOT ASM. | VARIOUS NOS.FO R DESTINATIONS | | | 1.00 |
| 47 | RO037180100 | RUBBER RING | | | | 1.00 |

HAND LIFTER COMPONENTS (AK156)



| No. | 品番 | 品名 | 備考 | 子部品 | 消耗品 | 個数 |
|-----|-------------|----------------------------|----|-----|-----|------|
| 1 | SS7090910TP | SCREW 9/64-40 L= 8.5 | | | | 1.00 |
| 2 | 40226017 | PRESSER_SPRING_M | | | | 1.00 |
| 3 | 40226006 | PRESSER_LINK_A_ASM | | | | 1.00 |
| 4 | 40226007 | PRESSER_LINK_A | | * | | 1.00 |
| 5 | SB106000500 | BEARING | | * | | 2.00 |
| 6 | 40226003 | PRESSER_GEAR_COMP_N | | | | 1.00 |
| 7 | 40226004 | PRESSER_GEAR_ASM_N | | * | | 1.00 |
| 8 | SB108000200 | SIDE BEARING | | * | | 1.00 |
| 9 | 40200004 | MOTOR_GEAR_N | | | | 1.00 |
| 10 | SM80508A2TP | SCREW M5 L=8 | | | | 2.00 |
| 11 | 40172402 | PRESSER_LEVER_SHAFT | | | | 1.00 |
| 12 | SM80608A2TP | SCREW M6 L=8 | | | | 1.00 |
| 13 | WP0820526SD | WASHER 8.2X14X0.5 | | | | 1.00 |
| 14 | 22907109 | PRESSER BAR BUSHING, LOWER | | | | 1.00 |
| 15 | 40226021 | BUSH_A | | | | 1.00 |
| 16 | 40226018 | ASSY_PRESSER_LINK_B | | | | 1.00 |
| 17 | 40226019 | ASSY_PRESSER_LINK_B_A | | * | | 1.00 |
| 18 | SB106000400 | CLUTCH BEARING | | * | | 1.00 |
| 19 | WP0661016SP | WASHER | | | | 1.00 |
| 20 | 40226008 | PRESSER_LINK_SCREW | | | | 1.00 |
| 21 | 40226010 | PRESSER_BAR | | | | 1.00 |
| 22 | 40226014 | PRESSER_BAR_GUIDE_BRACKET | | | | 1.00 |
| 23 | SM6051400SP | SCREW | | | | 1.00 |
| 24 | 40226020 | THRUST_COLLAR | | | | 1.00 |
| 25 | SS8110410TP | SCREW 11/64-40 L= 3.5 | | | | 2.00 |
| 26 | 40209310 | MAGNET_BASE | | | | 1.00 |
| 27 | 40172415 | MAGNET | | | | 1.00 |
| 28 | 40211903 | CLOTH_PRESSER_SENSOR_ASM | | | | 1.00 |
| 29 | SM4041455SN | SCREW M4 L=14 | | | | 2.00 |
| 30 | RE0500000K0 | E-RING | | | | 3.00 |
| 31 | RE0800000K0 | E-SHAPED SNAP RING (8MM) | | | | 1.00 |
| 32 | 40172389 | CAP | | | | 1.00 |
| 33 | 40022407 | CORD HOLDER | | | | 3.00 |
| 34 | 40255467 | PRESSURE MOTOR | | | | 1.00 |
| 35 | 40209343 | LIFTER_MOTOR_BASE | | | | 1.00 |
| 36 | SM6041002TP | SCREW M4X0.7 L=10 | | | | 4.00 |
| 37 | SL6061292TN | SCREW | | | | 3.00 |
| 38 | 40226009 | PRESSER_GUIDE_BOSS | | | | 1.00 |
| 39 | 40141757 | SQUARE_BLOCK | | | | 1.00 |
| 40 | WP0621036SP | WASHER | | | | 1.00 |

FEED MECHANISM COMPONENTS

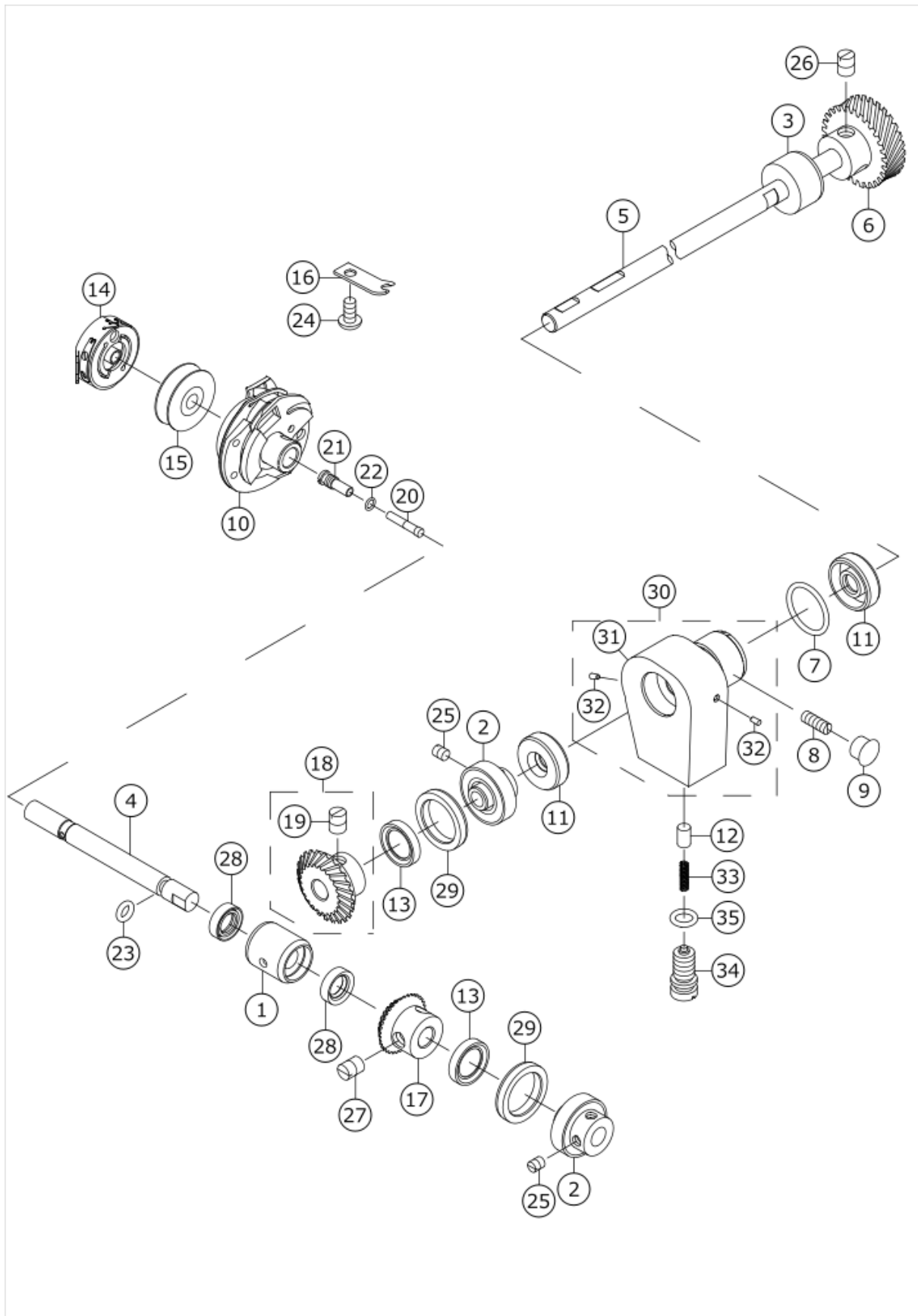


| No. | 品番 | 品名 | 備考 | 子部品 | 消耗品 | 個数 |
|-----|-------------|-----------------------------------------|-----------------|-----|-----|------|
| 1 | 40172378 | REVERSE_FEED_LEVER | | | | 1.00 |
| 2 | SM8050612TP | SCREW M5X6 | | | | 2.00 |
| 3 | 40174291 | FEED_CONTROL_SENSOR_PLATE | | | | 1.00 |
| 4 | SM4040655SP | SCREW | | | | 1.00 |
| 5 | 40172509 | FEED_LEVER_SHAFT | | | | 1.00 |
| 6 | 40172510 | FEED_LEVER_SHAFT_METAL | | | | 1.00 |
| 7 | 11050705 | LEVER RETURN SPRING | | | | 1.00 |
| 8 | 40174293 | ASSY_FEED_LEVER_ARM | | | | 1.00 |
| 9 | 40174294 | FEED_LEVER_ARM | | * | | 1.00 |
| 10 | 22912307 | PIN | | * | | 1.00 |
| 11 | SM6051602TP | SCREW M5X0.8 L=16 | | * | | 1.00 |
| 12 | 22952501 | BACK LEVER STOPPER | | | | 2.00 |
| 13 | SM6051850TP | SCREW M5 L=18 | | | | 2.00 |
| 14 | 40174405 | FEED_CONTROL_SENSOR_BASE_ASM | | | | 1.00 |
| 15 | SM4040655SP | SCREW | | | | 2.00 |
| 16 | 40038494 | THREAD_BIND_ARM_SPRING RAC | | | | 1.00 |
| 17 | 40010311 | HORIZONTAL FEED SHAFT | | | | 1.00 |
| 18 | 40139216 | OIL_SEAL | | | | 1.00 |
| 19 | 23616709 | FEED ROCKER SHAFT METAL | | | | 1.00 |
| 20 | CS1470710SH | THRUST COLLAR ASM. D=14.72 W=7 | | | | 2.00 |
| 21 | 40032271 | PIN | | | | 1.00 |
| 22 | 40050457 | FEED DRIVING ROCKER BLOCK | | | | 2.00 |
| 23 | 26303404 | CAP | | | | 2.00 |
| 24 | SS4110915SP | SCREW 11/64-40 L=9 | | | | 4.00 |
| 25 | 40010318 | FEED ADJUSTING A | | | | 1.00 |
| 26 | 23532203 | FEED ADJUSTING PRESSER | | | | 1.00 |
| 27 | SS4110615SP | SCREW 11/64-40 L=6 | | | | 1.00 |
| 28 | 23532005 | FEED ADJUSTING OIL SEAL | | | | 1.00 |
| 29 | 40011837 | PULSE MOTOR LINK C | | | | 1.00 |
| 30 | SS7111810TP | SCREW 11/64-40 L=18 | | | | 2.00 |
| 31 | WP0460556SD | WASHER 4.6X7.5X0.5 | | | | 2.00 |
| 32 | 40209356 | HORIZONTAL_MOTOR_BASE | | | | 1.00 |
| 33 | SM6061002TP | SCREW M6 L=10 | | | | 2.00 |
| 34 | SM6051002TP | SCREW M5X0.8 L=10 | | | | 1.00 |
| 35 | 40255465 | HORIZONTAL FEED MOTOR | | | | 1.00 |
| 36 | SM6041002TP | SCREW M4X0.7 L=10 | | | | 4.00 |
| 37 | CM300300003 | HIGH TEMPARATURE CAUTION LABEL 2 (31.5) | | | | 1.00 |
| 38 | 40010278 | PULSE MOTOR LINK B | | | | 1.00 |
| 39 | SM4051655SP | SCREW M5 L=16 | | | | 1.00 |
| 40 | 40010286 | JUNCTION SHAFT A | SELECTIVE PARTS | | | 2.00 |
| 41 | 40010287 | JUNCTION SHAFT B | SELECTIVE PARTS | | | 2.00 |
| 42 | 40010288 | JUNCTION SHAFT C | SELECTIVE PARTS | | | 2.00 |
| 43 | 40010289 | JUNCTION SHAFT D | SELECTIVE PARTS | | | 2.00 |
| 44 | 40008169 | ASSY PULSE MOTOR LINK A | | | | 1.00 |
| 45 | SM8050612TP | SCREW M5X6 | | | | 2.00 |
| 46 | SM8050612TP | SCREW M5X6 | | | | 1.00 |

| | | | | | | |
|----|-------------|------------------------------|-----------------|--|--|------|
| 47 | 22581508 | FEED DOG | | | | 1.00 |
| 48 | SS6580752TP | SCREW 1/8-40 L=7 | | | | 2.00 |
| 49 | 40149246 | HORIZONTAL_FEED_CAM | | | | 1.00 |
| 50 | 23532401 | HORIZONTAL FEED CAM COVER | | | | 1.00 |
| 51 | B16085550A0 | FEED ROCKER SHAFT CRANK ASM. | | | | 1.00 |
| 52 | 40125487 | HORIZONTAL FEED ROD | | | | 1.00 |
| 53 | 40125488 | CONNECTING ROD | | | | 1.00 |
| 54 | SB3220002CA | BEARING | SELECTIVE PARTS | | | 1.00 |
| 55 | SB3220002CB | BEARING | SELECTIVE PARTS | | | 1.00 |
| 56 | SB3220002CC | BEARING | SELECTIVE PARTS | | | 1.00 |
| 57 | SB3220002CD | BEARING | SELECTIVE PARTS | | | 1.00 |
| 58 | SB3220002CE | BEARING | SELECTIVE PARTS | | | 1.00 |
| 59 | NS6680410SP | HEXAGONAL NUT 9/32-28 | | | | 2.00 |
| 60 | 40010286 | JUNCTION SHAFT A | SELECTIVE PARTS | | | 1.00 |
| 61 | 40010287 | JUNCTION SHAFT B | SELECTIVE PARTS | | | 1.00 |
| 62 | 40010288 | JUNCTION SHAFT C | SELECTIVE PARTS | | | 1.00 |
| 63 | 40010289 | JUNCTION SHAFT D | SELECTIVE PARTS | | | 1.00 |
| 64 | SM8050402TP | SCREW | | | | 1.00 |
| 65 | SD0900701TP | SHOULDER SCREW D=9 H=7 | | | | 2.00 |
| 66 | SS4080620TP | SCREW 1/8-44 L=6 | | | | 2.00 |
| 67 | SS6121610TP | SCREW 3/16-28 L=15.5 | | | | 1.00 |
| 68 | SS8660810TP | SCREW 1/4-40 L=8 | | | | 2.00 |
| 69 | 40125481 | FEED_BASE_ASM | | | | 1.00 |
| 70 | 40125485 | FEED BASE SHAFT | | | | 1.00 |
| 71 | 40125483 | VERTICAL_FEED_LINK | FOR LZ-2290CS | | | 1.00 |
| 72 | 26303107 | VERTICAL FEED LINK SHAFT D | | | | 1.00 |
| 73 | 22940654 | FEED ROCKER | | | | 1.00 |
| 74 | SS7121410TP | SCREW 3/16-28 L=14 | | | | 1.00 |
| 75 | WP0480856SP | WASHER 4.8X8.4X0.8 | | | | 1.00 |
| 76 | RE0300000K0 | E-RING 3 | | | | 1.00 |
| 77 | SS7110740TP | SCREW 11/64-40 L=7 | | | | 1.00 |
| 78 | 40255466 | VERTICAL FEED MOTOR | FOR LZ-2290CF | | | 1.00 |
| 79 | 40209318 | VERTICAL_MOTOR_BASE | FOR LZ-2290CF | | | 1.00 |
| 80 | SM6041602TP | SCREW M4X0.7 L=16 | FOR LZ-2290CF | | | 4.00 |
| 81 | SM6061002TP | SCREW M6 L=10 | FOR LZ-2290CF | | | 2.00 |
| 82 | 40209317 | FEED_MOTOR_CAP | FOR LZ-2290CF | | | 1.00 |
| 83 | NM6040000SN | NUT M4 TYPE1 | FOR LZ-2290CF | | | 4.00 |
| 84 | RO078190100 | O-RING | FOR LZ-2290CF | | | 1.00 |
| 85 | 40209355 | MOTOR_LEVER | FOR LZ-2290CF | | | 1.00 |
| 86 | SM8050502TP | SCREW M5 L=5 | FOR LZ-2290CF | | | 4.00 |
| 87 | 40086699 | REVERSE_FEED_LINK_PIN | FOR LZ-2290CF | | | 1.00 |
| 88 | 40209316 | FEED_CONNECT_LINK | FOR LZ-2290CF | | | 1.00 |

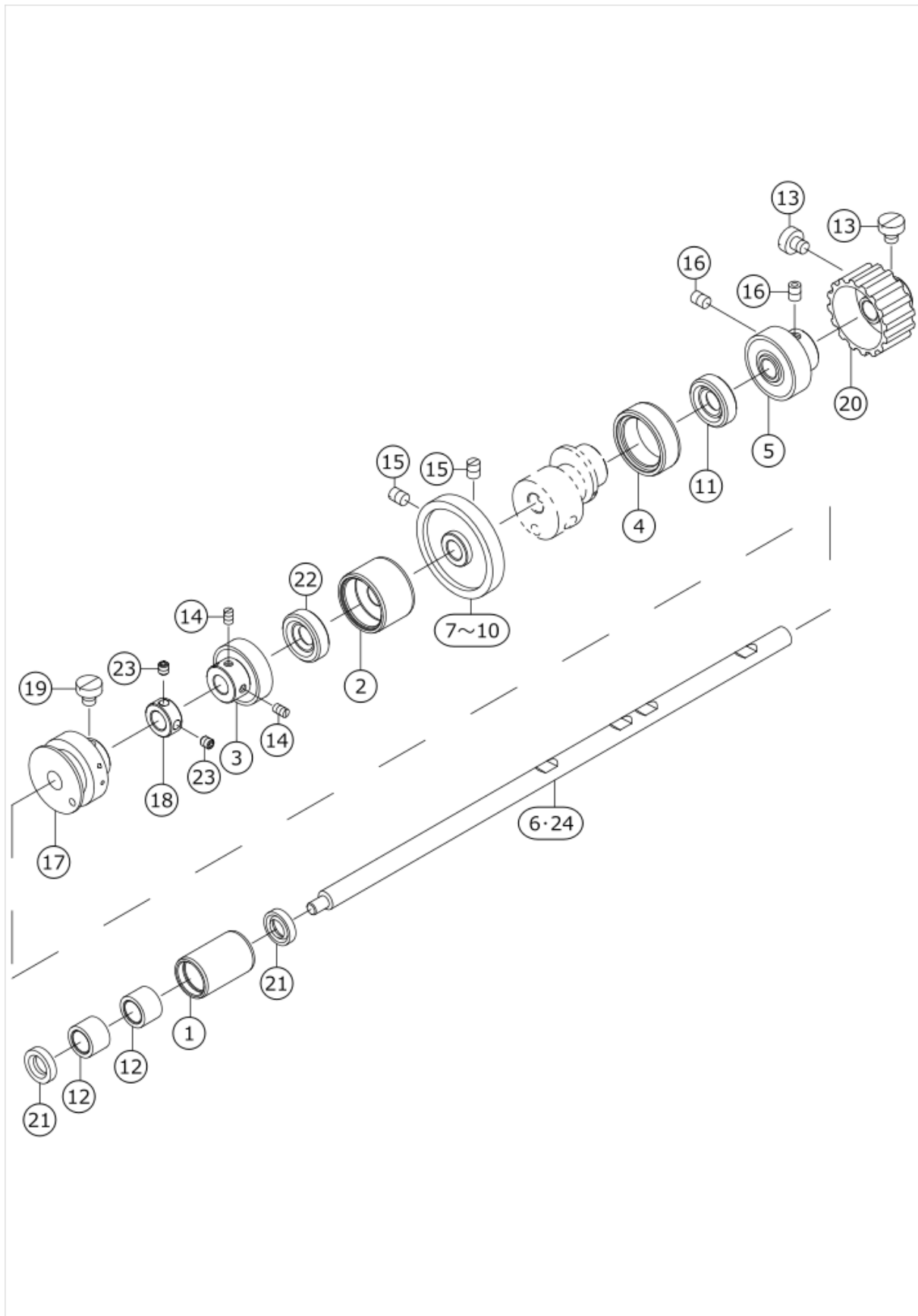
| | | | | | | |
|----|-------------|---------------------------------------|---------------|--|--|------|
| 89 | CM300300001 | HIGH TEMPERATURE CAUTION LABEL 2 (16) | FOR LZ-2290CF | | | 1.00 |
| 90 | 40220000 | STOPPER | | | | 1.00 |
| 91 | SM6040602TP | SCREW M4X0.7 L=6 | | | | 2.00 |
| 92 | WP0410516SD | PLAIN WASHER | | | | 2.00 |

HOOK DRIVING SHAFT COMPONENTS (1)



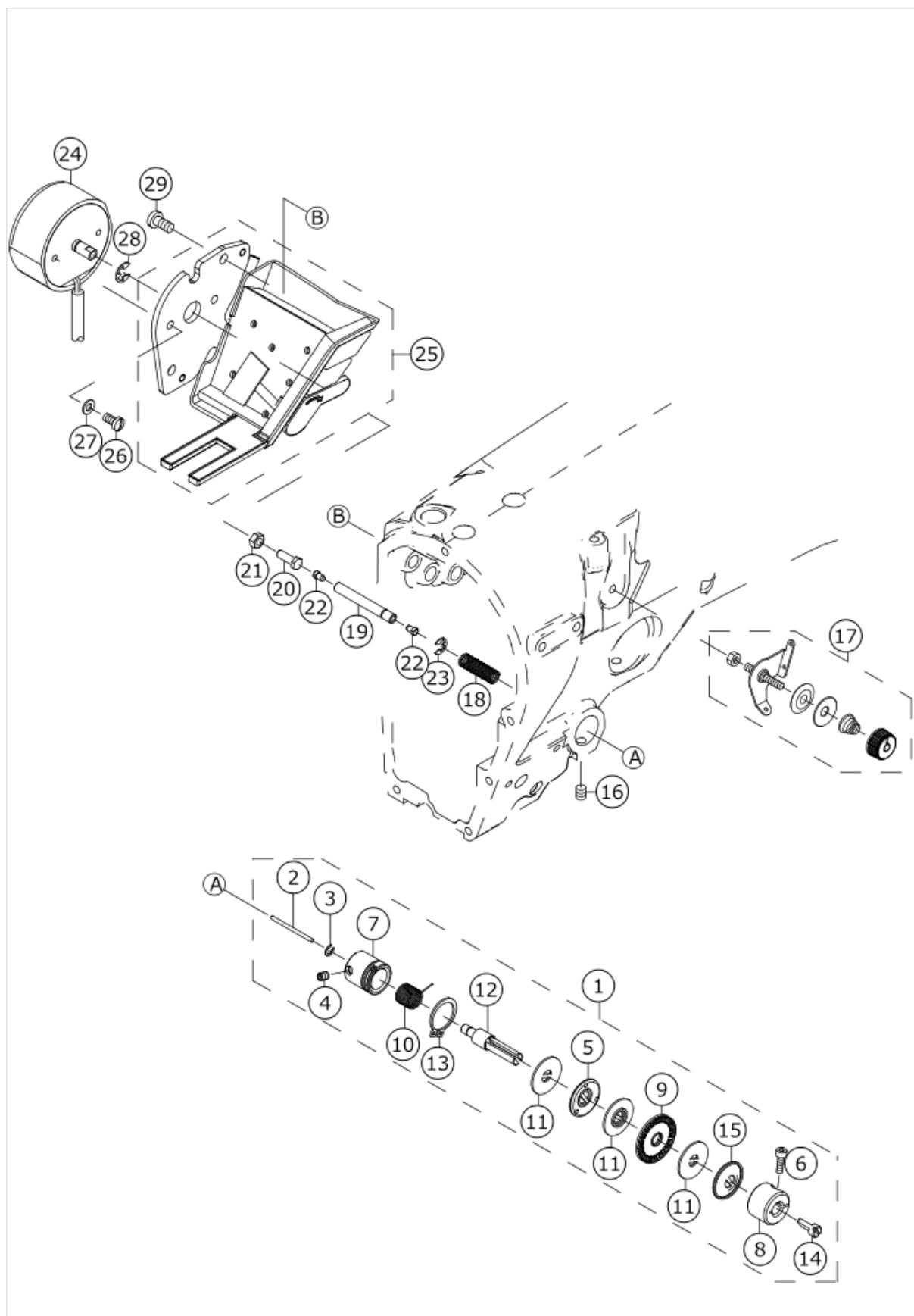
| No. | 品番 | 品名 | 備考 | 子部品 | 消耗品 | 個数 |
|-----|-------------|-------------------------------|----|-----|-----|------|
| 1 | 23535107 | HOOK SHAFT FRONT METAL | | | | 1.00 |
| 2 | 40003590 | HOOK SHAFT BEARING ASM. | | | | 2.00 |
| 3 | 23535602 | HOOK DRIVING SHAFT REAR METAL | | | | 1.00 |
| 4 | 40010283 | HOOK SHAFT | | | | 1.00 |
| 5 | 40209319 | HOOK_DRIVING_SHAFT | | | | 1.00 |
| 6 | 10031003 | HELICAL GEAR B | | | | 1.00 |
| 7 | RO172180100 | RUBBER RING | | | | 1.00 |
| 8 | SS8111251SP | SCREW 11/64-40 L=12.0 | | | | 1.00 |
| 9 | TA0850604R0 | RUBBER PLUG | | | | 1.00 |
| 10 | 22525877 | HOOK COMPL. V | | | | 1.00 |
| 11 | 22890008 | HOOK DRIVING SHAFT OIL SEAL | | | | 2.00 |
| 12 | 23628803 | PLUNGER | | | | 1.00 |
| 13 | 40011424 | HOOK GEAR BOX OIL SEAL | | | | 2.00 |
| 14 | 40125507 | BOBBIN CASE ASM. | | | | 1.00 |
| 15 | 22596704 | BOBBIN S | | | | 1.00 |
| 16 | 23503402 | INNER HOOK STOPPER | | | | 1.00 |
| 17 | B1308155000 | MITRE GEAR SMALL | | | | 1.00 |
| 18 | B13071550A0 | GEAR ASM. LARGE | | | | 1.00 |
| 19 | SS8660810TP | SCREW 1/4-40 L=8 | | * | | 2.00 |
| 20 | 11015906 | OIL WICK | | | | 1.00 |
| 21 | 22916506 | SET SCREW | | | | 1.00 |
| 22 | RO036080200 | RUBBER RING | | | | 1.00 |
| 23 | RO048190100 | RUBBER RING | | | | 1.00 |
| 24 | SS4110915SP | SCREW 11/64-40 L=9 | | | | 1.00 |
| 25 | SS8110520TP | SCREW 11/64-40 L=4.5 | | | | 4.00 |
| 26 | SS8660810TP | SCREW 1/4-40 L=8 | | | | 2.00 |
| 27 | SS8660810TP | SCREW 1/4-40 L=8 | | | | 2.00 |
| 28 | 40120730 | HOOK SHAFT OIL SEAL | | | | 2.00 |
| 29 | 40010282 | OIL SEAL COLLAR | | | | 2.00 |
| 30 | 40209344 | PUMP_METAL_ASSY | | | | 1.00 |
| 31 | 40209345 | PUMP_METAL | | * | | 1.00 |
| 32 | TA0180401M0 | NEEDLE COOLER PLUG CAP | | * | | 3.00 |
| 33 | 23628902 | PLUNGER SPRING | | | | 1.00 |
| 34 | 23629009 | PLUNGER SCREW | | | | 1.00 |
| 35 | RO068190100 | RUBBER RING | | | | 1.00 |

HOOK DRIVING SHAFT COMPONENTS (2)



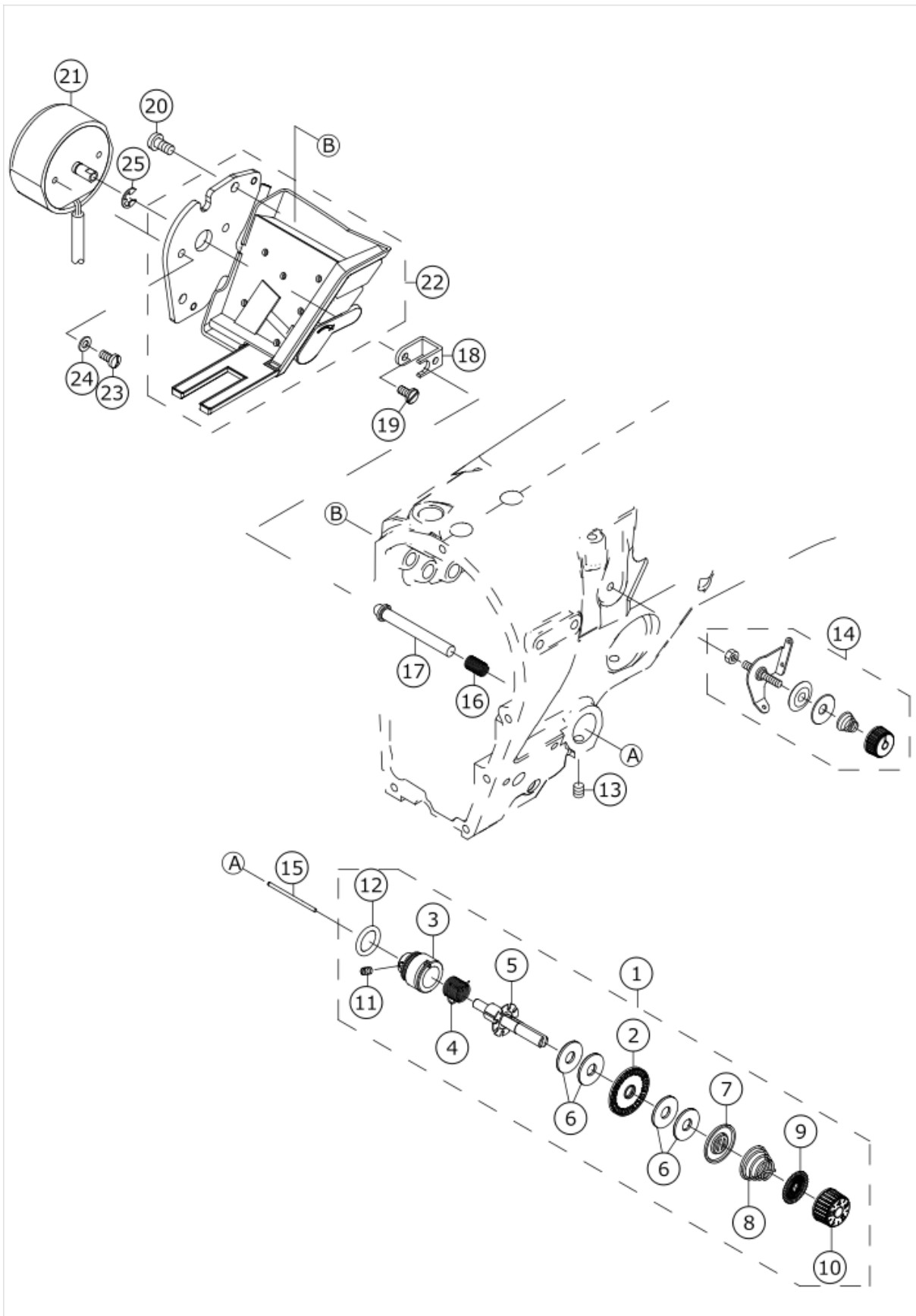
| No. | 品番 | 品名 | 備考 | 子部品 | 消耗品 | 個数 |
|-----|-------------|--------------------------------|-----------------|-----|-----|------|
| 1 | 40010316 | LOWER SHAFT FRONT BEARING BUSH | | | | 1.00 |
| 2 | 40010314 | LOWER SHAFT INNER METAL | | | | 1.00 |
| 3 | 23536055 | LOWER SHAFT INNER BEARING ASM. | | | | 1.00 |
| 4 | 23536105 | LOWER SHAFT REAR BUSH | | | | 1.00 |
| 5 | 23536253 | LOWER SHAFT REAR BEARING ASM. | | | | 1.00 |
| 6 | 40010303 | LOWER SHAFT | FOR LZ-2290CS | | | 1.00 |
| 7 | 40149251 | HELICAL_GEAR_A | SELECTIVE PARTS | | | 1.00 |
| 8 | 40149252 | HELICAL_GEAR_B | SELECTIVE PARTS | | | 1.00 |
| 9 | 40149253 | HELICAL_GEAR_C | SELECTIVE PARTS | | | 1.00 |
| 10 | 40149254 | HELICAL_GEAR_D | SELECTIVE PARTS | | | 1.00 |
| 11 | G1615880000 | OIL SEAL | | | | 1.00 |
| 12 | SB3100010C0 | BEARING | | | | 2.00 |
| 13 | SS6660710TP | SCREW 1/4-40 L=7 | | | | 2.00 |
| 14 | SS8110750SP | SCREW 11/64-40 L=6.5 | | | | 2.00 |
| 15 | SS8660810TP | SCREW 1/4-40 L=8 | | | | 2.00 |
| 16 | SM8060812TP | SCREW M6 L=8 | | | | 2.00 |
| 17 | 23541709 | THREAD TRIMMER CAM | | | | 1.00 |
| 18 | CS1000881TP | THRUST COLLAR | | | | 1.00 |
| 19 | SS6660710TP | SCREW 1/4-40 L=7 | | | | 2.00 |
| 20 | 40160262 | LOWER_SHAFT_SPROCKET | | | | 1.00 |
| 21 | B2508704000 | OIL SEAL | | | | 2.00 |
| 22 | G1615880000 | OIL SEAL | | | | 1.00 |
| 23 | SM80506A2TP | SCREW M5 L=6 | | | | 2.00 |
| 24 | 40209320 | LOWER_SHAFT | FOR LZ-2290CF | | | 1.00 |

THREAD TENSION COMPONENTS (TYPE FULL DIGITAL)



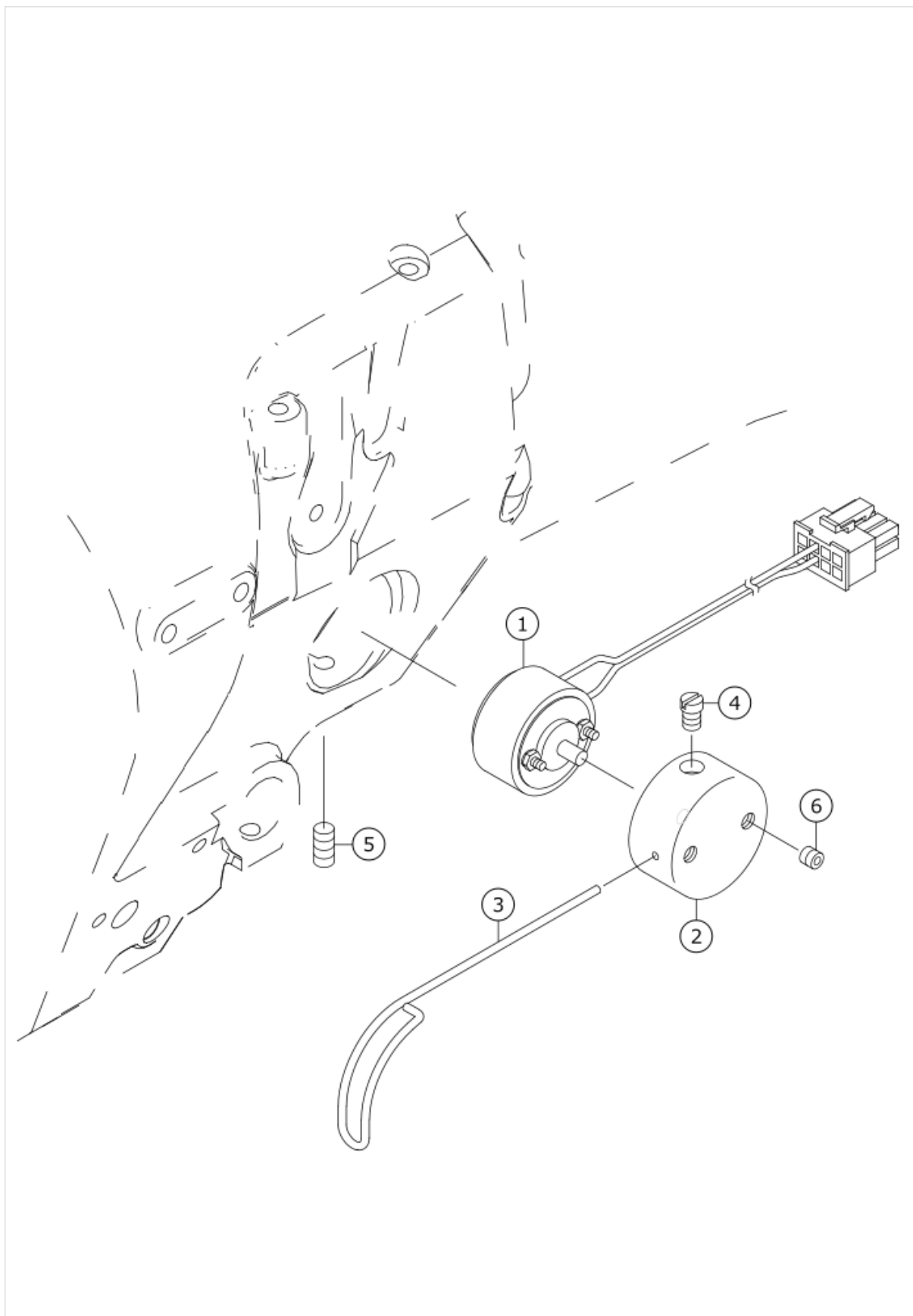
| No. | 品番 | 品名 | 備考 | 子部品 | 消耗品 | 個数 |
|-----|-------------|-----------------------------|----|-----|-----|------|
| 1 | 40209328 | AT_THREAD_TENSION_ASM | | | | 1.00 |
| 2 | B3118552100 | TENSION RELEASING PIN I | | * | | 1.00 |
| 3 | RC0410415KP | C-RING | | * | | 1.00 |
| 4 | SM8040612TP | SCREW M4 L=6 | | * | | 1.00 |
| 5 | 40126724 | TENSION_DISC HOLDER | | * | | 1.00 |
| 6 | SM6031002TN | SCREW M3 L=10 | | * | | 1.00 |
| 7 | 40254811 | TENSION_POST_BASE_ASM | | * | | 1.00 |
| 8 | 40172474 | DISK_STOPPER HOLDER_CAP | | * | | 1.00 |
| 9 | 22528350 | THREAD TENSION DISK COMPL. | | * | | 1.00 |
| 10 | 40209339 | THREAD_TAKE_UP_SPRING | | * | | 1.00 |
| 11 | 40209336 | RESIN_PLATE | | * | | 3.00 |
| 12 | 40172472 | AT_SHAFT | | * | | 1.00 |
| 13 | RC1700001KP | RETAINING RING | | * | | 1.00 |
| 14 | 40172473 | DISK_STOPPER HOLDER_CAP_PIN | | * | | 1.00 |
| 15 | B3132012000 | TENSION DISC HOLDER | | * | | 1.00 |
| 16 | SM80506A2TP | SCREW M5 L=6 | | | | 1.00 |
| 17 | 40125685 | PRE-TENSION CONTROLLER ASM | | | | 1.00 |
| 18 | 40209353 | AT_SPRING | | | | 1.00 |
| 19 | 40172475 | THREAD_TENSION_SHAFT | | | | 1.00 |
| 20 | 40174311 | SCREW | | | | 1.00 |
| 21 | NM6040000SN | NUT M4 | | | | 1.00 |
| 22 | 26201004 | GUIDE PIN | | | | 2.00 |
| 23 | RE0400000K0 | E-RING 4 | | | | 1.00 |
| 24 | 40219992 | AT_SOLENOID_A | | | | 1.00 |
| 25 | 40209331 | LED_TB_SWITCH | | | | 1.00 |
| 26 | SM7040800SL | SCREW | | | | 2.00 |
| 27 | WP0410846SC | WASHER | | | | 2.00 |
| 28 | RE0500000K0 | E-RING | | | | 1.00 |
| 29 | SM4051055SP | SCREW | | | | 2.00 |

THREAD TENSION COMPONENTS (TYPE DIGITAL)



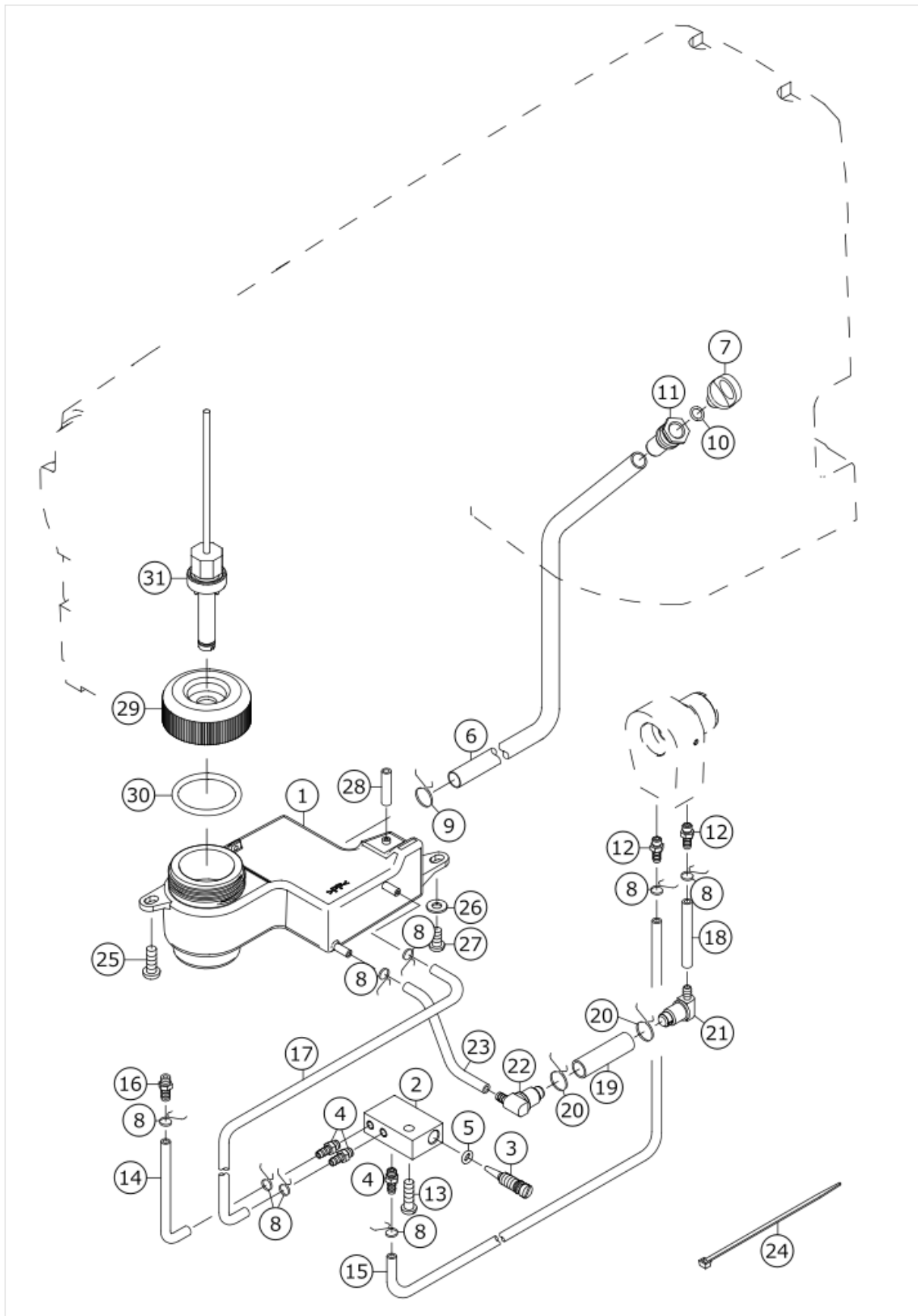
| No. | 品番 | 品名 | 備考 | 子部品 | 消耗品 | 個数 |
|-----|-------------|----------------------------|----|-----|-----|------|
| 1 | 40125651 | THREAD_TENSION_ASM | | | | 1.00 |
| 2 | 23547557 | THREAD TENSION T COMPL. | | * | | 1.00 |
| 3 | 22528152 | THREAD TENSION ROD ASM. | | * | | 1.00 |
| 4 | 23538309 | THREAD TAKE-UP SPRING | | * | | 1.00 |
| 5 | 40141101 | THREAD_TENSION_POST_COMPL. | | * | | 1.00 |
| 6 | 22528509 | FELT | | * | | 4.00 |
| 7 | 10006005 | TENSION DISC HOLDER | | * | | 1.00 |
| 8 | B3121352000 | TENSION SPRING | | * | | 1.00 |
| 9 | 22921407 | ROTATION STOPPER | | * | | 1.00 |
| 10 | 23626005 | THREAD TENSION NUT | | * | | 1.00 |
| 11 | SS8090670SP | SCREW 9/64-40 L= 5.5 | | * | | 1.00 |
| 12 | RO118240100 | O-RING | | * | | 1.00 |
| 13 | SM80506A2TP | SCREW M5 L=6 | | | | 1.00 |
| 14 | 40125685 | PRE-TENSION CONTROLLER ASM | | | | 1.00 |
| 15 | 40209416 | TENSION_RELEASE_PIN | | | | 1.00 |
| 16 | 22920409 | THREAD RELEASE PIN SPRING | | | | 1.00 |
| 17 | 22528616 | THREAD_RELEASE | | | | 1.00 |
| 18 | 40209347 | THREAD_RELEASE_PLATE | | | | 1.00 |
| 19 | SM6040860TP | SCREW M4 L=8 | | | | 1.00 |
| 20 | SM4051055SP | SCREW | | | | 2.00 |
| 21 | 40219992 | AT_SOLENOID_A | | | | 1.00 |
| 22 | 40209331 | LED_TB_SWITCH | | | | 1.00 |
| 23 | SM7040800SL | SCREW | | | | 2.00 |
| 24 | WP0410846SC | WASHER | | | | 2.00 |
| 25 | RE0500000K0 | E-RING | | | | 1.00 |

THREAD FEEDER COMPONENTS



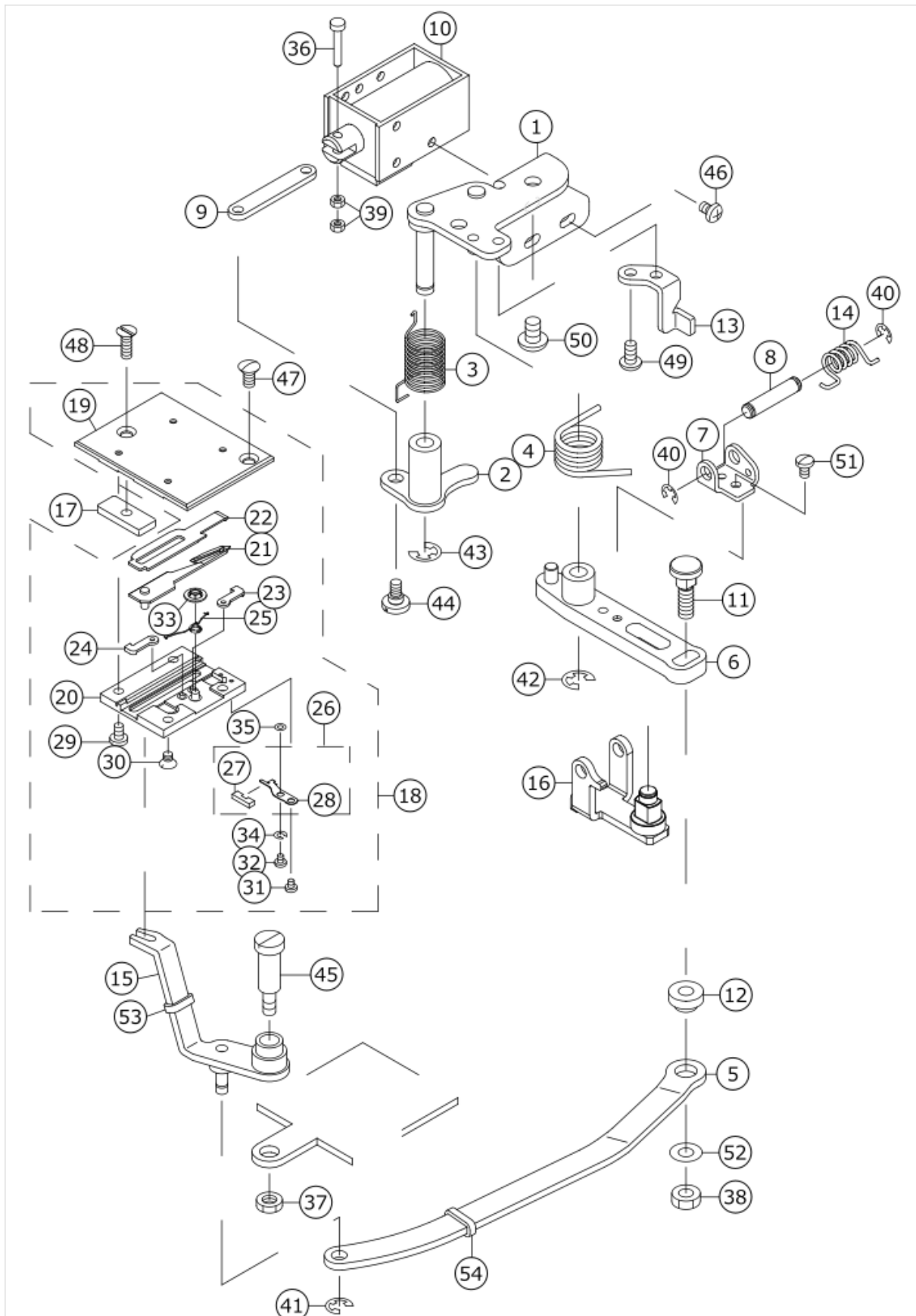
| No. | 品番 | 品名 | 備考 | 子部品 | 消耗品 | 個数 |
|-----|-------------|--------------------------|----|-----|-----|------|
| 1 | 40219993 | FEEDER_SOLENOID_ASM. | | | | 1.00 |
| 2 | 40010321 | FEEDER WIRE FITTING BASE | | | | 1.00 |
| 3 | 23538606 | FEEDER WIRE | | | | 1.00 |
| 4 | SS6110710TP | SCREW 11/64-40 L= 6.5 | | | | 1.00 |
| 5 | SM8051002TP | SCREW M5 L=10 | | | | 1.00 |
| 6 | SS8110422TP | SCREW 11/64-40 L=4 | | | | 2.00 |

LUBRICATION COMPONENTS



| No. | 品番 | 品名 | 備考 | 子部品 | 消耗品 | 個数 |
|-----|-------------|---------------------------|----|-----|-----|------|
| 1 | 40209314 | OIL_TANK | | | | 1.00 |
| 2 | 40209315 | HOOK_OIL_REGULATING | | | | 1.00 |
| 3 | 23539414 | HOOK OIL REGULATING SCREW | | | | 1.00 |
| 4 | 23629801 | LUBRICATION CONNECTOR | | | | 3.00 |
| 5 | RO037180100 | RUBBER RING | | | | 1.00 |
| 6 | 23630106 | TUBE B | | | | 0.46 |
| 7 | 40000344 | LUBRICATING INLET CAP | | | | 1.00 |
| 8 | 23629306 | PIPE STOPPER A | | | | 8.00 |
| 9 | 23629405 | PIPE STOPPER B | | | | 1.00 |
| 10 | RO048190100 | RUBBER RING | | | | 1.00 |
| 11 | 40000343 | LUBRICATING INLET | | | | 1.00 |
| 12 | 23629801 | LUBRICATION CONNECTOR | | | | 2.00 |
| 13 | SS4121615SP | SCREW 3/16-28 L=16 | | | | 1.00 |
| 14 | 23630007 | TUBE | | | | 0.07 |
| 15 | 23630007 | TUBE | | | | 0.16 |
| 16 | 23629801 | LUBRICATION CONNECTOR | | | | 1.00 |
| 17 | 23630007 | TUBE | | | | 0.22 |
| 18 | 23630007 | TUBE | | | | 0.04 |
| 19 | 23630106 | TUBE B | | | | 0.04 |
| 20 | 23629405 | PIPE STOPPER B | | | | 2.00 |
| 21 | 23630650 | OIL FILTER JOINT ASM. | | | | 1.00 |
| 22 | 23630601 | OIL FILTER JOINT | | | | 1.00 |
| 23 | 23630007 | TUBE | | | | 0.05 |
| 24 | A4078009000 | BAND (SMALL) | | | | 1.00 |
| 25 | SL4051091SC | SCREW M5X0.8 L=10 | | | | 1.00 |
| 26 | WP0501016SD | WASHER 5X10.5X1 | | | | 1.00 |
| 27 | SS4120915SP | SCREW 3/16-28 L=9 | | | | 1.00 |
| 28 | 23630007 | TUBE | | | | 0.02 |
| 29 | 40221270 | OIL LEVEL SWITCH CAP | | | | 1.00 |
| 30 | 40221271 | O-RING | | | | 1.00 |
| 31 | 40219976 | FLOATER_SENSOR | | | | 1.00 |

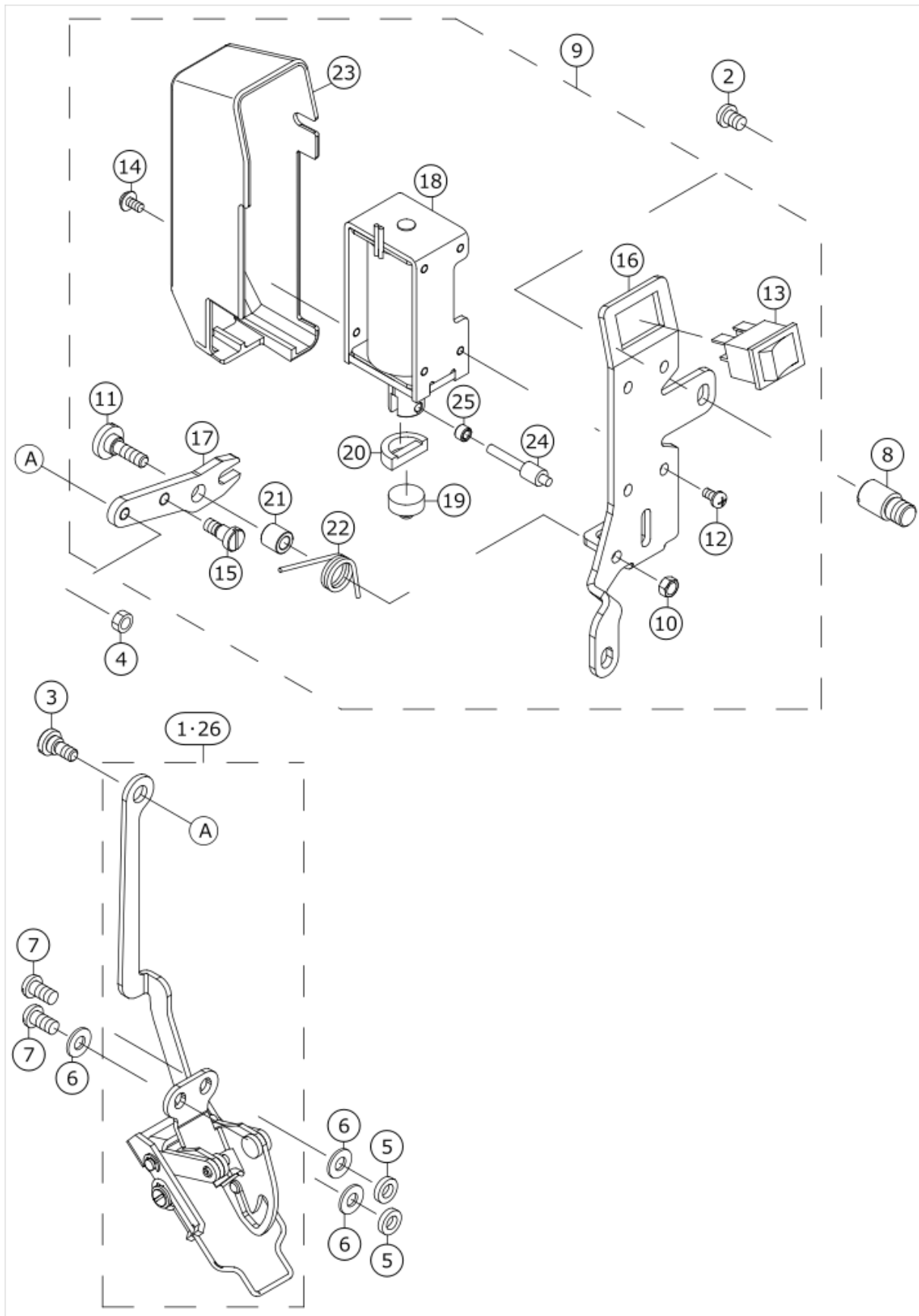
THREAD TRIMMER MECHANISM COMPONENTS



| No. | 品番 | 品名 | 備考 | 子部品 | 消耗品 | 個数 |
|-----|-------------|-------------------------|----|-----|-----|------|
| 1 | 40010290 | BASE PLATE ASM. | | | | 1.00 |
| 2 | 23542053 | CLUTCH PLATE ASM. | | | | 1.00 |
| 3 | 23542103 | CLUTCH RETURN SPRING | | | | 1.00 |
| 4 | 23542202 | KNIFE RETURN SPARING | | | | 1.00 |
| 5 | 23541808 | MOVING KNIFE LINK | | | | 1.00 |
| 6 | 11040854 | KNIFE DRIVING ARM ASM. | | | | 1.00 |
| 7 | 22949002 | ROLLER ARM SEAT | | | | 1.00 |
| 8 | 22949101 | ROLLER FULCRUM SHAFT | | | | 1.00 |
| 9 | 22554505 | CLUTCH LINK | | | | 1.00 |
| 10 | 40219990 | THREAD_TRIMMER_SOLENOID | | | | 1.00 |
| 11 | 40010295 | MOVING KNIFE LINK PIN | | | | 1.00 |
| 12 | 22554802 | MOVING KNIFE LINK BASE | | | | 1.00 |
| 13 | 22554901 | DRIVING ARM STOPPER | | | | 1.00 |
| 14 | 22555304 | ROLLER RETURN SPRING | | | | 1.00 |
| 15 | 22555551 | FORK KNIFE ASM. | | | | 1.00 |
| 16 | 40224910 | ROLLER_ARM_ASM | | | | 1.00 |
| 17 | 22556906 | FIXED PLATE | | | | 1.00 |
| 18 | 22557458 | KNIFE UNIT | | | | 1.00 |
| 19 | 22558308 | SLIDING PLATE | | * | | 1.00 |
| 20 | 22558407 | KNIFE BASE | | * | | 1.00 |
| 21 | 22557557 | DRIVING KNIFE ASM. | | * | | 1.00 |
| 22 | 22557706 | FIXED KNIFE | | * | | 1.00 |
| 23 | 22557805 | KNIFE STOPPER RIGHT | | * | | 1.00 |
| 24 | 22557904 | KNIFE STOPPER LEFT | | * | | 1.00 |
| 25 | 22558209 | SPRING | | * | | 1.00 |
| 26 | 22558159 | CLAMP PLATE ASM. | | * | | 1.00 |
| 27 | 22558001 | FELT | | * | | 1.00 |
| 28 | 22558100 | CLAMP PLATE | | * | | 1.00 |
| 29 | SS7090610SP | SCREW 9/64-40 L=6 | | * | | 2.00 |
| 30 | SS1090510SP | SCREW 9/64-40 L=5 | | * | | 2.00 |
| 31 | SS7060310SP | SCREW 3/32-56 L=3 | | * | | 1.00 |
| 32 | SS7060310SP | SCREW 3/32-56 L=3 | | * | | 1.00 |
| 33 | NP210300000 | LOCATING SPRING WASHER | | * | | 1.00 |
| 34 | WS0270002KN | SPRING WASHER M2.6 | | * | | 1.00 |
| 35 | D2056772B0B | WASHER B T=0.4 | | * | | 1.00 |
| 36 | 23542418 | CLUTCH LINK PIN | | | | 1.00 |
| 37 | NS6150310SP | NUT 15/64-28 | | | | 1.00 |
| 38 | NS6150430SP | NUT 15/64-28 | | | | 1.00 |
| 39 | NM6030001SB | NUT M3 | | | | 2.00 |
| 40 | RE0400000K0 | E-RING 4 | | | | 2.00 |
| 41 | RE0500000K0 | E-RING | | | | 1.00 |
| 42 | RE0600000K0 | E-RING 6 | | | | 1.00 |
| 43 | RE0600000K0 | E-RING 6 | | | | 1.00 |
| 44 | SD0600291TP | HINGE SCREW D=6 H=2.9 | | | | 1.00 |
| 45 | SD0791503SP | HINGE SCREW D=7.94 H=15 | | | | 1.00 |
| 46 | SM4040601SC | SCREW M4X0.7 L=6 | | | | 3.00 |
| 47 | SS2110920TP | SCREW 11/64-40 L=8.5 | | | | 1.00 |
| 48 | SS2111010TP | SCREW 11/64-40 L=9.5 | | | | 1.00 |
| 49 | SS4110915SP | SCREW 11/64-40 L=9 | | | | 2.00 |
| 50 | SS4150915SP | SCREW 15/64-28 L=9 | | | | 2.00 |

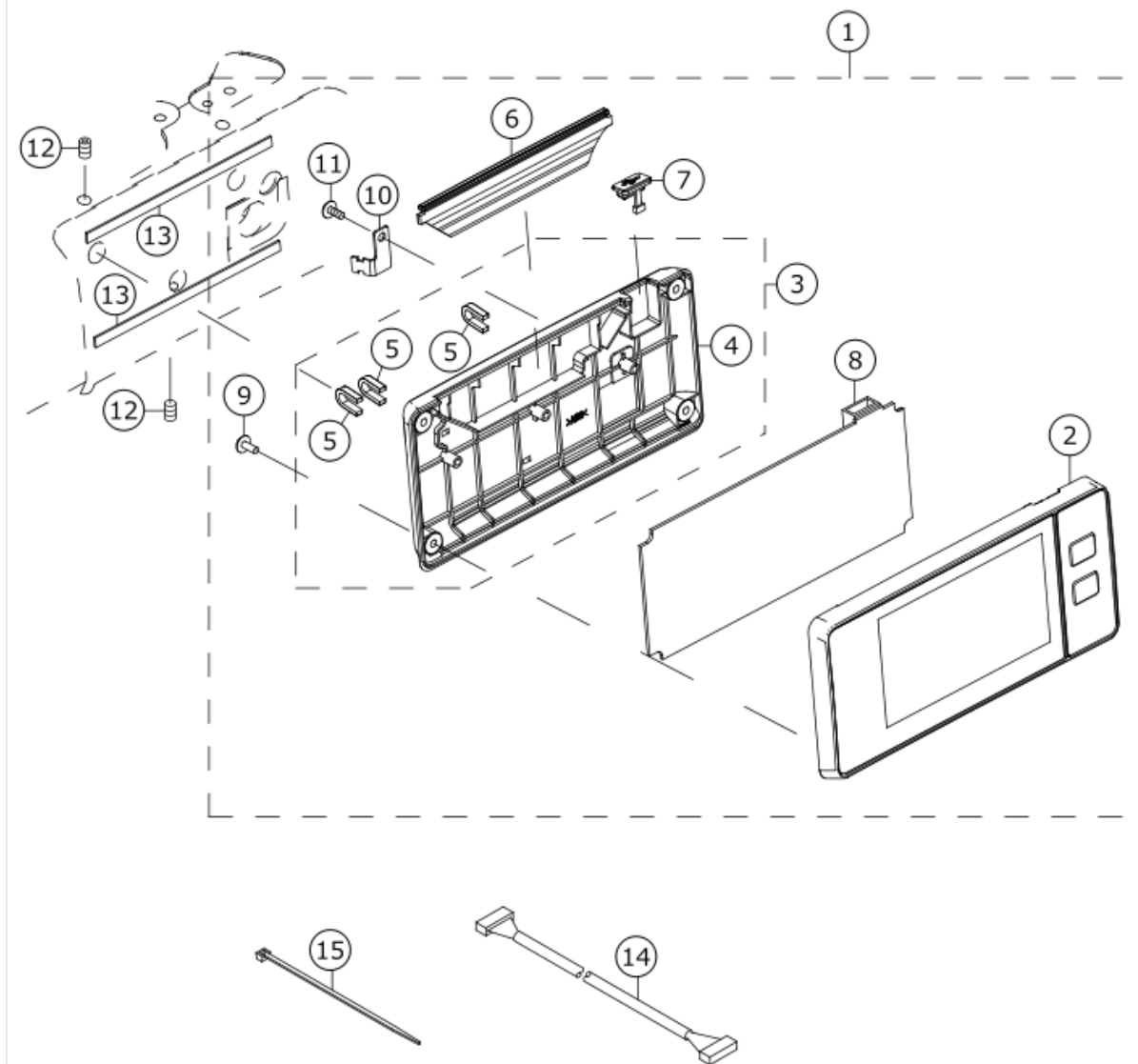
| | | | | | | |
|----|-------------|-----------------------|--|--|--|------|
| 51 | SS7090610SP | SCREW 9/64-40 L=6 | | | | 1.00 |
| 52 | WP0621016SH | WASHER | | | | 1.00 |
| 53 | 22919203 | OIL PROTECTING RUBBER | | | | 1.00 |
| 54 | BP600000000 | VINYL PIPE | | | | 1.00 |

WIPER COMPONENTS



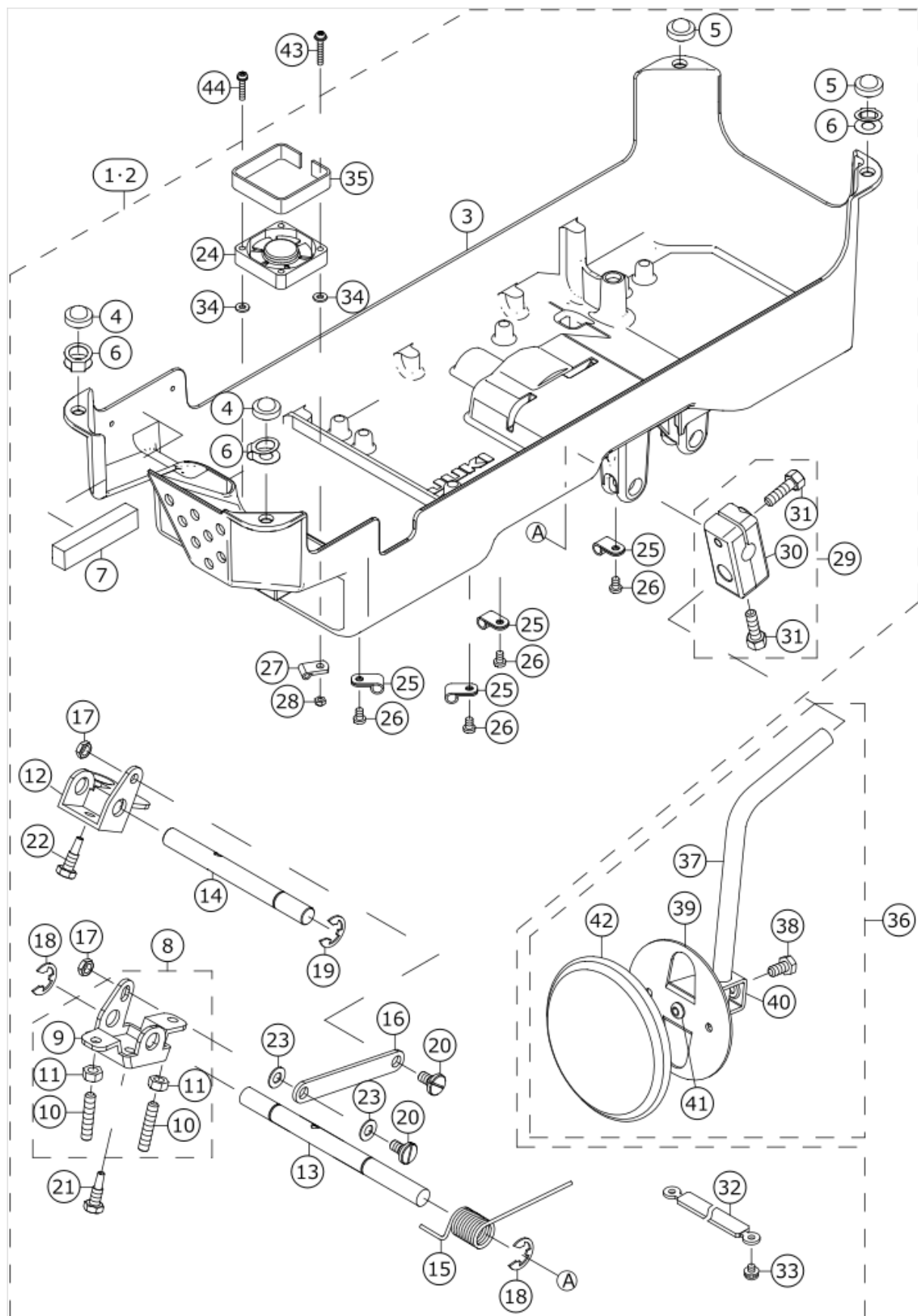
| No. | 品番 | 品名 | 備考 | 子部品 | 消耗品 | 個数 |
|-----|-------------|----------------------------|----------------------------------|-----|-----|------|
| 1 | 40209350 | WIPER_ASM | VARIOUS NOS.FO R DESTINATIONS | | | 1.00 |
| 2 | SS4120615SP | SCREW 3/16-28 L=6 | | | | 2.00 |
| 3 | SD0600271SP | HINGE SCREW D=6 H=2.7 | | | | 1.00 |
| 4 | NS6110310SP | HEXAGONAL NUT 11/64-40 | | | | 1.00 |
| 5 | 40021606 | WASHER(B) | | | | 1.00 |
| 6 | WP0501016SD | WASHER 5X10.5X1 | | | | 3.00 |
| 7 | SS4120915SP | SCREW 3/16-28 L=9 | | | | 2.00 |
| 8 | 40125647 | STUD | | | | 1.00 |
| 9 | 40209325 | WIPER_SOLENOID_ASM | | | | 1.00 |
| 10 | NS6110310SP | HEXAGONAL NUT 11/64-40 | | * | | 1.00 |
| 11 | SD0650321TP | SHOULDER SCREW D=6.5 H=3.2 | | * | | 1.00 |
| 12 | SL4030641SE | SCREW | | * | | 4.00 |
| 13 | HA00600000A | SWITCH | | * | | 4.00 |
| 14 | SL4030631SC | SCREW M3X6 | | * | | 1.00 |
| 15 | SD0500481TP | HINGE SCREW D=5 H=4.8 | | * | | 1.00 |
| 16 | 40125645 | WIPER_BASE | | * | | 1.00 |
| 17 | 22562201 | WIPER LINK | | * | | 1.00 |
| 18 | 40219991 | WIPER SOLENOID ASM. | | * | | 1.00 |
| 19 | 22955900 | WIPER RUBBER A | | * | | 1.00 |
| 20 | 22956007 | WIPER RUBBER B | | * | | 1.00 |
| 21 | 22956205 | WIPER HINGE SCREW COLLAR | | * | | 1.00 |
| 22 | 22956304 | WIPER SPRING | | * | | 1.00 |
| 23 | 40196122 | WIPER_COVER | | * | | 1.00 |
| 24 | 22957104 | WIPER SOLENOID SHAFT | | * | | 1.00 |
| 25 | 22957203 | WIPER LINK COLLAR | | * | | 1.00 |
| 26 | 40215739 | WIPER_ASM | VARIOUS NOS.FO R DESTINATIONS | | | 1.00 |

OPERATION PANEL COMPONENTS



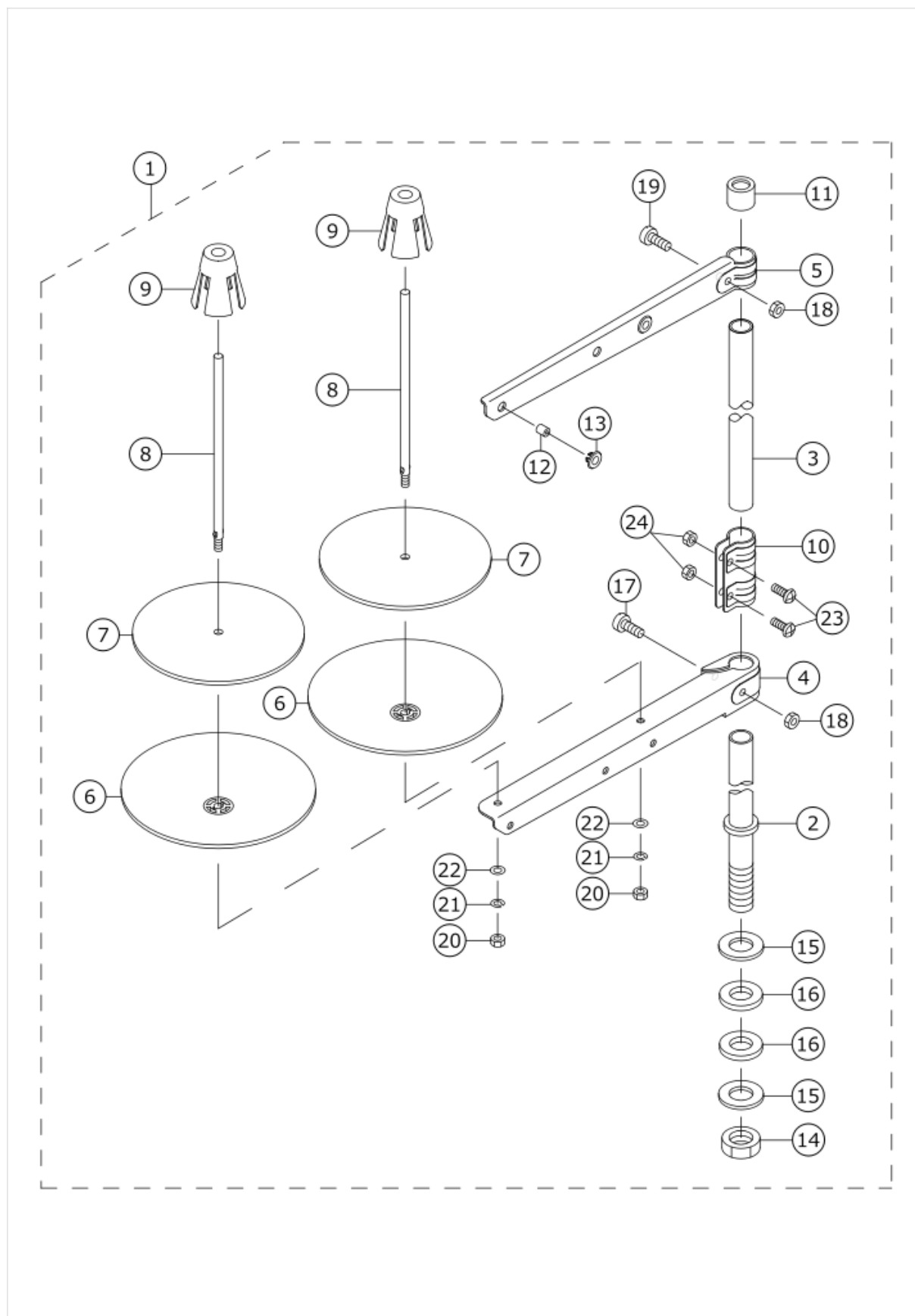
| No. | 品番 | 品名 | 備考 | 子部品 | 消耗品 | 個数 |
|-----|-------------|--------------------------------|----|-----|-----|------|
| 1 | 40219970 | PANEL-F ASSY FOR LZ2290C | | | | 1.00 |
| 2 | 40173451 | PANEL_COVER_F ASSY | | * | | 1.00 |
| 3 | 40173459 | PANEL COVER R ASM | | * | | 1.00 |
| 4 | 40172386 | PANEL_COVER_R | | * | | 1.00 |
| 5 | 40172420 | FIX_PLATE | | * | | 3.00 |
| 6 | 40172422 | INDICATOR | | * | | 1.00 |
| 7 | 40172423 | USB_COVER | | * | | 1.00 |
| 8 | 40169398 | PNL-F PCB ASSY | | * | | 1.00 |
| 9 | SV4030802SN | TAPPING SCREW WITH FLANGE M3X8 | | * | | 1.00 |
| 10 | 40174580 | PANEL_CABLE_CLAMP_PLATE | | * | | 1.00 |
| 11 | SV4030802SN | TAPPING SCREW WITH FLANGE M3X8 | | * | | 4.00 |
| 12 | SM8050852TP | SCREW M5 L=8 | | | | 3.00 |
| 13 | 40174408 | PANEL_CSHION_RUBBER | | | | 2.00 |
| 14 | 40175585 | CTL-PNL CORD ASSY | | | | 1.00 |
| 15 | EA9500B0100 | CABLE BAND | | | | 1.00 |

UNDER COVER COMPONENTS



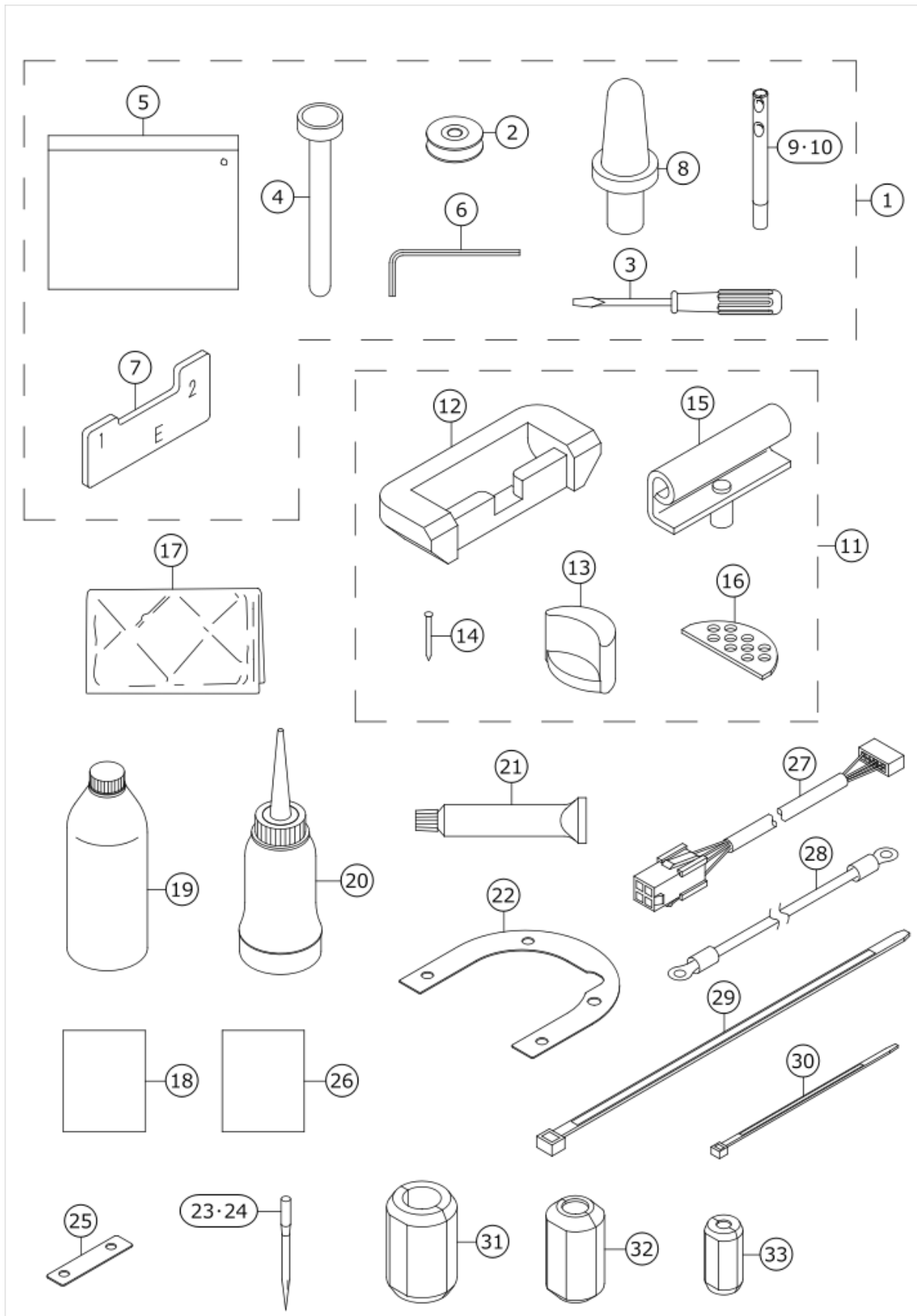
| No. | 品番 | 品名 | 備考 | 子部品 | 消耗品 | 個数 |
|-----|-------------|--------------------------|----------------------------------|-----|-----|------|
| 1 | 40209323 | OIL_RESERVOIR_ASM | VARIOUS NOS.FO R DESTINATIONS | | | 1.00 |
| 2 | 40219946 | OIL_RESERVOIR_ASM | VARIOUS NOS.FO R DESTINATIONS | | | 1.00 |
| 3 | 40209322 | OIL_RESERVOIR | | * | | 1.00 |
| 4 | 11047107 | RUBBER CUSHION | | * | | 2.00 |
| 5 | 10162600 | RUBBER CUSHION | | * | | 2.00 |
| 6 | 40218924 | CE_BLOCK | VARIOUS NOS.FO R DESTINATIONS | * | | 3.00 |
| 7 | 40219979 | CONDUCTIVE GASKET | VARIOUS NOS.FO R DESTINATIONS | * | | 1.00 |
| 8 | 23639156 | BRACKET ASM. | | * | | 1.00 |
| 9 | 23639107 | BRACKET | | * | | 1.00 |
| 10 | SM8063012TR | SCREW M6 L=30 | | * | | 2.00 |
| 11 | NM6060001SE | NUT M6 | | * | | 2.00 |
| 12 | 23639206 | CONNECTING ROT | | * | | 1.00 |
| 13 | 23639305 | KNEE PRESS ROD | | * | | 1.00 |
| 14 | 23639404 | SHAFT | | * | | 1.00 |
| 15 | 23639503 | SPRING | | * | | 1.00 |
| 16 | 23639602 | CONNECTING ROD | | * | | 1.00 |
| 17 | NS6150310SP | NUT 15/64-28 | | * | | 2.00 |
| 18 | RE1000000K0 | E-RING 10 | | * | | 2.00 |
| 19 | RE1000000K0 | E-RING 10 | | * | | 1.00 |
| 20 | SD0720331SP | HINGE SCREW D=7.24 H=3.3 | | * | | 2.00 |
| 21 | SM9061853SR | SCREW M6 L=17.5 | | * | | 1.00 |
| 22 | SM9061853SR | SCREW M6 L=17.5 | | * | | 1.00 |
| 23 | WP0650876SD | WASHER 6.5X13X0.8 | | * | | 2.00 |
| 24 | 40191349 | FAN MOTOR ASSY | | * | | 1.00 |
| 25 | HX00150000A | CABLE CLAMP | | * | | 4.00 |
| 26 | SM4040601SC | SCREW M4X0.7 L=6 | | * | | 4.00 |
| 27 | HX001500000 | CLIP | | * | | 1.00 |
| 28 | NM6030001SN | NUT | | * | | 1.00 |
| 29 | 22932453 | BRACKET ASM. | | * | | 1.00 |
| 30 | 22932404 | BRACKET | | * | | 1.00 |
| 31 | SM9062053SR | SCREW M6 L=20 | | * | | 2.00 |
| 32 | 40219977 | GROUNDING WIRE 150 | VARIOUS NOS.FO R DESTINATIONS | * | | 2.00 |
| 33 | SL4040681SC | SCREW M4 L=6 | VARIOUS NOS.FO R DESTINATIONS | * | | 2.00 |
| 34 | WP0371016SD | WASHER 3.7X8X1 | | * | | 4.00 |
| 35 | 40219999 | SPACER | | * | | 1.00 |
| 36 | 22934251 | KNEE PAD PLATE ASM. | | | | 1.00 |
| 37 | 22934608 | KNEE PAD UPRIGHT SHAFT | | * | | 1.00 |
| 38 | SM9061203SE | SCREW M6 L=12 | | * | | 1.00 |
| 39 | 22934202 | KNEE PAD PLATE | | * | | 1.00 |
| 40 | 22934301 | KNEE PAD PLATE SUPPORT | | * | | 1.00 |
| 41 | 22934400 | KNEE PAD PLATE RUBBER | | * | | 1.00 |
| 42 | 22934509 | KNEE PAD PLATE COVER | | * | | 1.00 |
| 43 | SL4032091SC | SCREW | | | | 1.00 |
| 44 | SL4031681SC | SCREW M3 X 16 | | | | 3.00 |

THREAD STAND COMPONENTS



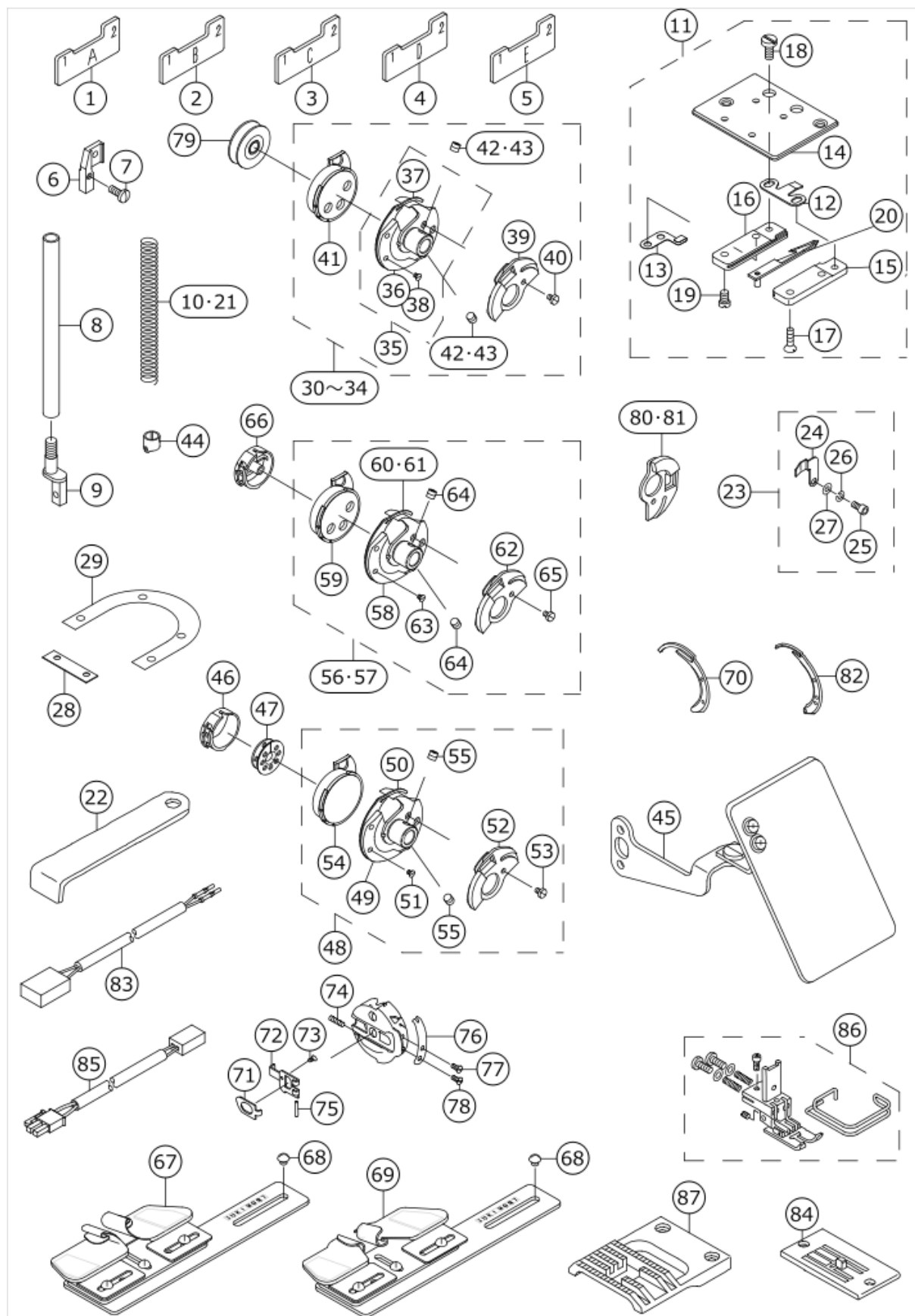
| No. | 品番 | 品名 | 備考 | 子部品 | 消耗品 | 個数 |
|-----|-------------|-------------------------------|----|-----|-----|------|
| 1 | 40096354 | THREAD STAND ASM. | | | | 1.00 |
| 2 | 40085784 | SPOOL REST ROD (LOWER) | | * | | 1.00 |
| 3 | 40085785 | SPOOL REST ROD (UPPER) | | * | | 1.00 |
| 4 | 40085786 | SPOOL REST ARM (LOWER) | | * | | 1.00 |
| 5 | 40085787 | SPOOL REST ARM (UPPER) | | * | | 1.00 |
| 6 | 40085788 | SPOOL REST | | * | | 2.00 |
| 7 | 40085789 | SPOOL REST CUSHION | | * | | 2.00 |
| 8 | 40085790 | SPOOL PIN | | * | | 2.00 |
| 9 | 40085791 | SPOOL RETAINER | | * | | 2.00 |
| 10 | 40085792 | SPOOL REST ROD JOINT | | * | | 1.00 |
| 11 | 40085793 | SPOOL REST ROD RUBBER CAP | | * | | 1.00 |
| 12 | 40085794 | THREAD GUIDE | | * | | 2.00 |
| 13 | 40085795 | THREAD GUIDE BUSHING | | * | | 2.00 |
| 14 | 40096325 | SPOOL REST ROD NUT | | * | | 1.00 |
| 15 | WP1612616SE | WASHER 16X30X2.6 | | * | | 2.00 |
| 16 | 40085796 | SPOOL REST ROD RUBBER CUSHION | | * | | 2.00 |
| 17 | 40096326 | SPOOL REST ARM LOWER SCREW | | * | | 1.00 |
| 18 | NM6050001SE | NUT M5 | | * | | 2.00 |
| 19 | 40096327 | SPOOL REST ARM UPPER SCREW | | * | | 1.00 |
| 20 | NM6050001SE | NUT M5 | | * | | 2.00 |
| 21 | WS0510002KN | SPRING WASHER M5 | | * | | 2.00 |
| 22 | WP0531001SC | WASHER M5 | | * | | 2.00 |
| 23 | SM4051405SE | SCREW M5 L=14 | | * | | 2.00 |
| 24 | NM6050001SE | NUT M5 | | * | | 2.00 |

ACCESSORIE PARTS COMPONENTS



| No. | 品番 | 品名 | 備考 | 子部品 | 消耗品 | 個数 |
|-----|-------------|------------------------------|-------------------------------|-----|-----|------|
| 1 | 40215736 | ACCESSORIE_BAG_ASM. | | | | 1.00 |
| 2 | 22596704 | BOBBIN S | | * | | 1.00 |
| 3 | 22933204 | SCREW DRIVER SMALL | | * | | 1.00 |
| 4 | 23639701 | KNEE LIFTER PRESSER ROD | | * | | 1.00 |
| 5 | 22932800 | ACCESSORIE BAG | | * | | 1.00 |
| 6 | B9102057000 | WRENCH (3/32) | | * | | 1.00 |
| 7 | 22536502 | TIMING GAUGE E | | * | | 1.00 |
| 8 | 40174570 | HEAD_SUPPORT_ROD | | * | | 1.00 |
| 9 | 22958300 | NEEDLE THREAD GUIDE PIN | FOR LZ-2290CS-0B | * | | 1.00 |
| 10 | 22502504 | THREAD GUIDE BAR | FOR LZ-2290CS-7/LZ-2290CF | * | | 1.00 |
| 11 | 22958052 | RUBBER HINGE ASM. | | | | 1.00 |
| 12 | 22926000 | RUBBER CUSHION | | * | | 2.00 |
| 13 | 22958003 | FRAME BUBBER CUSHION | | * | | 2.00 |
| 14 | 22926208 | NAIL | | * | | 8.00 |
| 15 | 22926356 | HINGE COMPL. | | * | | 2.00 |
| 16 | 22926505 | WASHER | | * | | 2.00 |
| 17 | 26234005 | VINYL COVER | | | | 1.00 |
| 18 | 29342409 | SHEET | | | | 1.00 |
| 19 | MDFRX1200C0 | NEW DEFRIX OIL NO.1 (200ML) | | | | 1.00 |
| 20 | B91210120A0 | OILER ASM. | | | | 1.00 |
| 21 | 40006323 | JUKI GREASE A TUBE | | | | 1.00 |
| 22 | 22503908 | SPACER | FOR LZ-2290CS-7/LZ-2290CF | | | 1.00 |
| 23 | MC192300752 | NEEDLE 438 #75-2 | VARIOUS NOS.FO R DESTINATIONS | | | 1.00 |
| 24 | MDP500B1002 | NEEDLE DPX5 #10-2 | VARIOUS NOS.FO R DESTINATIONS | | | 1.00 |
| 25 | 10025906 | SPACER | FOR LZ-2290CS-7/LZ-2290CF | | | 1.00 |
| 26 | 40250030 | DECLARATION_OF_INCORPORATION | TYPE BB | | | 1.00 |
| 27 | 40240053 | SENSOR RELAY CABLE A ASSY | | | | 1.00 |
| 28 | 40240056 | SENSOR EARTH CORD ASM | | | | 1.00 |
| 29 | HX00065000B | CABLE BAND | | | | 2.00 |
| 30 | EA9500B0100 | CABLE BAND | | | | 7.00 |
| 31 | HN002110000 | CORES | TYPE BB | | | 2.00 |
| 32 | HN002840000 | CORES | TYPE BB | | | 1.00 |
| 33 | HN004720000 | CORES | TYPE BB | | | 1.00 |

SPECIAL ORDER PARTS



| No. | 品番 | 品名 | 備考 | 子部品 | 消耗品 | 個数 |
|-----|--------------|-------------------------------|----|-----|-----|------|
| 1 | 22535801 | TIMING GAUGE | | | | 1.00 |
| 2 | 22586705 | TIMING GAUGE | | | | 1.00 |
| 3 | 22535900 | TIMMING GAUGE RIGHT | | | | 1.00 |
| 4 | 22536403 | TIMMING GAUG D | | | | 1.00 |
| 5 | 22536502 | TIMING GAUGE E | | | | 1.00 |
| 6 | B1551586000 | PRESSER FOOT JOINT | | | | 1.00 |
| 7 | SS7090910SP | SCREW 9/64-40 L=8.5 | | | | 1.00 |
| 8 | D1501583H00 | PRESSER BAR | | | | 1.00 |
| 9 | D1502583H00 | PRESSER BAR | | | | 1.00 |
| 10 | B1505227T00A | PRESSER SPRING | | | | 1.00 |
| 11 | 22556054 | KNIFE UNIT | | | | 1.00 |
| 12 | 22556302 | FIXED KNIFE | | * | | 1.00 |
| 13 | 22556450 | CLAMP PLATE ASM. | | * | | 1.00 |
| 14 | 22556609 | SLIDING PLATE | | * | | 1.00 |
| 15 | 22556708 | DRIVING BASE | | * | | 1.00 |
| 16 | 22556807 | DRIVING BASE | | * | | 1.00 |
| 17 | SS1090510SP | SCREW 9/64-40 L=5 | | * | | 2.00 |
| 18 | SS6090420SP | SCREW 9/64-40 L=4.0 | | * | | 2.00 |
| 19 | SS7090710SP | SCREW 9/64-40 L=6.8 | | * | | 2.00 |
| 20 | 22556153 | DRIVING KNIFE ASM. | | * | | 1.00 |
| 21 | 11162104 | SPRING | | | | 1.00 |
| 22 | B9101490000 | DRIVER | | | | 1.00 |
| 23 | 22525455 | NEEDLE HOLDER ASM. | | | | 1.00 |
| 24 | 22525406 | NEEDLE GUARD | | * | | 1.00 |
| 25 | SM6030602TP | SCREW M3X0.5 L=6 | | * | | 1.00 |
| 26 | WS0310702KS | SPRING WASHER | | * | | 1.00 |
| 27 | WP0320500SC | WASHER M3 | | * | | 2.00 |
| 28 | 10025906 | SPACER | | | | 1.00 |
| 29 | 22503908 | SPACER | | | | 1.00 |
| 30 | 22525059 | HOOK COMPL. | | | | 1.00 |
| 31 | 22526677 | HOOK COMPL. V(PLASTIC HOOK) | | | | 1.00 |
| 32 | 22526578 | HOOK COMPL. V(HARD POINT) | | | | 1.00 |
| 33 | 22525257 | HOOK COMBINATION (HARD POINT) | | | | 1.00 |
| 34 | 22525752 | HOOK ASM. (PLASTIC) | | | | 1.00 |
| 35 | 22525968 | ROTATING HOOK V ASM. | | * | | 1.00 |
| 36 | 22525919 | OUTER HOOK V | | * | | 1.00 |
| 37 | 23503501 | INNER HOOK PRESSER V-S | | * | | 1.00 |
| 38 | 10033009 | HOOK GIB SCREW | | * | | 2.00 |
| 39 | 22526206 | REVERSE PLATE V | | * | | 1.00 |
| 40 | 10033108 | HOOK COUNTER BALANCE SCREW | | * | | 1.00 |
| 41 | 22526008 | INNER HOOK V | | * | | 1.00 |
| 42 | SS8110422TP | SCREW 11/64-40 L=4 | | * | | 2.00 |
| 43 | SS8110520TP | SCREW 11/64-40 L=4.5 | | * | | 2.00 |
| 44 | 22507701 | THRED RACK RIGHT | | | | 1.00 |
| 45 | 22503353 | SAFETY PLATE ASM. | | | | 1.00 |
| 46 | 23522550 | NOT TURN BOBBIN CASE ASM. | | | | 1.00 |
| 47 | 23523004 | NOT TURN BOBBIN | | | | 1.00 |
| 48 | 23523152 | NOT TURN BOBBIN HOOK COMPL. V | | | | 1.00 |
| 49 | 22525919 | OUTER HOOK V | | * | | 1.00 |
| 50 | 23503501 | INNER HOOK PRESSER V-S | | * | | 1.00 |

| | | | | | | |
|----|-------------|------------------------------------|----------------------------------|---|--|------|
| 51 | 10033009 | HOOK GIB SCREW | | * | | 2.00 |
| 52 | 23523202 | NOT TURN BOBBIN INNER HOOK V | | * | | 1.00 |
| 53 | 10033108 | HOOK COUNTER BALANCE SCREW | | * | | 1.00 |
| 54 | 22526008 | INNER HOOK V | | * | | 1.00 |
| 55 | SS8110422TP | SCREW 11/64-40 L=4 | | * | | 2.00 |
| 56 | 23503659 | HOOK COMPL. S | FOR INNER HOOK S | | | 1.00 |
| 57 | 23502958 | HOOK CONNECTION K | FOR INNER HOOK K | | | 1.00 |
| 58 | 23503709 | OUTER HOOK S | | * | | 1.00 |
| 59 | 23503808 | INNER HOOK S | | * | | 1.00 |
| 60 | 23503907 | INNER HOOK PRESSER S | FOR INNER HOOK S | * | | 1.00 |
| 61 | 23503006 | INNER HOOK PRESSER K | FOR INNER HOOK K | * | | 1.00 |
| 62 | 23504004 | BACK PLATE S | | * | | 1.00 |
| 63 | 23504103 | INNER HOOK PRESSER SETSCREW S | | * | | 3.00 |
| 64 | 23504301 | OUTER HOOK SETSCREW S | | * | | 2.00 |
| 65 | 23504400 | HOOK COUNTER BALANCE SCREW S | | * | | 1.00 |
| 66 | 23504657 | BOBBIN CASE WITH SPRING | | | | 1.00 |
| 67 | MAM09700BA0 | FAGOTING FOLDER ASM. | VARIOUS NOS.FO R DESTINATIONS | | | 1.00 |
| 68 | SS5110710SP | SCREW 11/64-40 L=7 | VARIOUS NOS.FO R DESTINATIONS | | | 2.00 |
| 69 | MAM097000A0 | FAGOTTING FELLER | VARIOUS NOS.FO R DESTINATIONS | | | 1.00 |
| 70 | 40016408 | HOOK GIB VS | | | | 1.00 |
| 71 | 19800903 | LC-601-1/ LATCH LEVER | | | | 1.00 |
| 72 | 19801000 | LC-602-2/ LATCH | | | | 1.00 |
| 73 | 19801307 | SMS-801-B/ SETSCREW PICK-UP | | | | 1.00 |
| 74 | 19801109 | LSP-4/ LATCH SPRING | | | | 1.00 |
| 75 | 19801208 | LFP-1/ LATCH PIN | | | | 1.00 |
| 76 | 19801406 | TSP-604-B/ TENSION SPRING | | | | 1.00 |
| 77 | 19801505 | SMS-608-B/ TENSION SCREW | | | | 1.00 |
| 78 | 19801604 | SMS-609-B/ SETSCREW TENSION SPRING | | | | 1.00 |
| 79 | 22524201 | BOBBIN | | | | 1.00 |
| 80 | 22524805 | REVERSE PLATE | | | | 1.00 |
| 81 | 22526206 | REVERSE PLATE V | | | | 1.00 |
| 82 | 23503303 | INNER PRESSER V-S4 | | | | 1.00 |
| 83 | 40008168 | OP SWITCH CABLE A ASM. | | | | 1.00 |
| 84 | 10061554 | THROAT PLATE ASM. | VARIOUS NOS.FO R DESTINATIONS | | | 1.00 |
| 85 | 40091888 | FAN RELAY CABLE | | | | 1.00 |
| 86 | 22591564 | PRESSER FOOT ASM. | VARIOUS NOS.FO R DESTINATIONS | | | 1.00 |
| 87 | 10064004 | FEED DOG | VARIOUS NOS.FO R DESTINATIONS | | | 1.00 |

HOW TO MAKE USE OF THIS PARTS LIST

HOW TO MAKE USE OF THIS PARTS LIST

1.Explanation of codes

1)"*"mark.....means this part is changed from the previous parts book.

As to the details of the change, refer to the "List for information of change".

2)"#01".....refer to "Note" explanation at bottom of page.

2.Codes on the "Qty" column

· Each numeral indicates the number of parts required.

· "0.1" and "2.5" indicate the length (in meters) of the respective parts.

3.Parentheses mean that the corresponding part is a subpart that constructs an assembly part.

4.Dotted lines on the Figures indicate assembly parts.

5.As to the parts with marks of "☆"(consumable parts) and "◎"(optional parts)on the respective parts, it is recommended to prepare spares.

パーツリストご利用に際して

1."注記"欄の記号説明

1) "*"印.....前回のパーツブックに比較して今回変更された部品を意味します。

変更内容は、"変更情報リスト"を参照してください。

2) "#01".....ページ下の"注記"の説明を参照してください。

2.数量欄の数字は、個数を表し、0.1、2.5等の数値は、長さ（単位メートル）を表します。

3.数量欄の（ ）は、組部品を構成している子部品であることを意味します。

4.イラストページの-----枠は、組構成であることを意味します。

5.リストページの"☆"（消耗部品）、"◎"（オプション部品）の印がついた部品は、予備を準備しておくことをお奨めします。